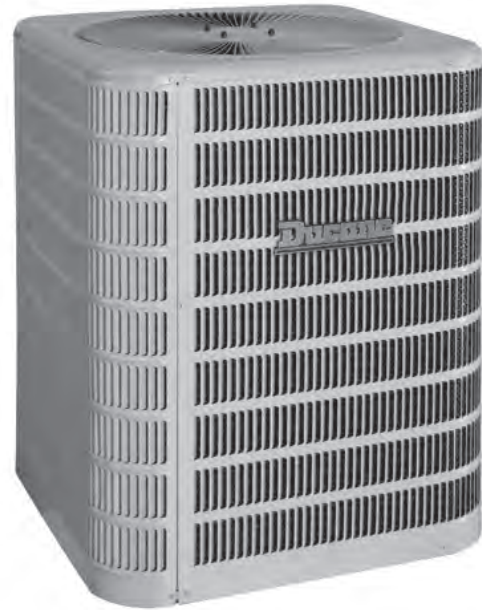


4HP14L-7

Form No. D4HP14L-7-100 (11/2012)

Features and Benefits

- R410A Refrigerant
- High-quality condenser coil with copper tubing and enhanced louvered fin for maximum heat transfer capacity
- Top discharge directs hot air and sound away from living area and shrubbery
- All units run tested
- Louvered panel coil protection
- Easy access to electrical panels, pre-wired for easy hook-up
- Bi-directional liquid line filter drier factory installed
- Discharge muffler for quiet operation
- Reliable, solid state defrost control
- Defrost control is Quiet Shift™ capable
- Low pressure switch factory installed for loss of charge protection
- Integrated control with LED diagnostics
- Short cycle protection factory installed
- All units ETL approved and AHRI Certified
- Charged for 15 feet of interconnecting tubing

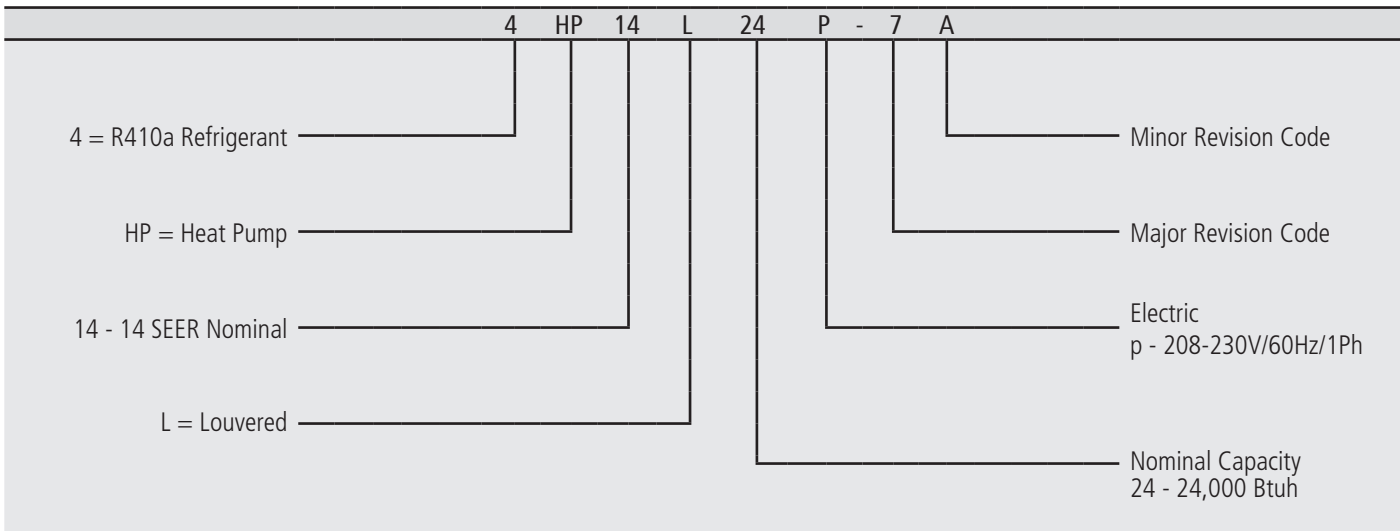


WARRANTY

- 10 year limited warranty on compressor, 10 year limited warranty on all parts, extended warranty available*

*Warranty provides for a total of 10 years of limited warranty coverage (Standard 5-year limited parts warranty plus an additional 5-year limited extended parts warranty). Warranty must be registered online within 60 days of installation to qualify for 10-year coverage. Unregistered equipment defaults to 5-year coverage. Lifetime limited heat exchanger warranty applies to registered equipment only (Standard 20 years with no online registration). See full warranty at www.alliedair.com for terms, conditions and exclusions.

Model Number Guide



Physical and Electrical Data

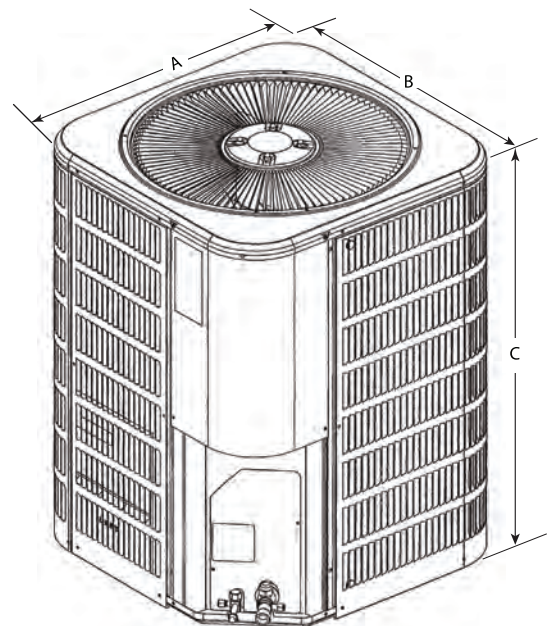
| Model | Volts/Hz/Phase | Voltage Range | Min. Circuit Amp. | Max. Over-current Device (amps) | Compressor | | Outdoor Fan Motor | | | Refrig. Charge (oz.) | Shipping Weight (lbs.) | |
|-------------|----------------|---------------|-------------------|---------------------------------|-------------------|---------------------|-------------------|----------|----------|----------------------|------------------------|--------|
| | | | | | Rated Load (amps) | Locked Rotor (amps) | Rated Load (amps) | Rated HP | Nom. RPM | | Wire Guard | Louver |
| 4HP14L18P-7 | 208-230/60/1 | 197-253 | 12.3 | 20 | 9.0 | 48 | 1.1 | 1/6 | 825 | 87 | NA | 165 |
| 4HP14L24P-7 | 208-230/60/1 | 197-253 | 17.9 | 30 | 13.4 | 58 | 1.1 | 1/6 | 825 | 108 | NA | 177 |
| 4HP14L30P-7 | 208-230/60/1 | 197-253 | 17.1 | 25 | 12.8 | 64 | 1.1 | 1/6 | 825 | 110 | NA | 178 |
| 4HP14L36P-7 | 208-230/60/1 | 197-253 | 18.7 | 30 | 14.1 | 77 | 1.1 | 1/6 | 825 | 159 | NA | 202 |
| 4HP14L42P-7 | 208-230/60/1 | 197-253 | 24.2 | 40 | 17.9 | 112 | 1.8 | 1/3 | 825 | 184 | NA | 272 |
| 4HP14L48P-7 | 208-230/60/1 | 197-253 | 29.0 | 50 | 21.8 | 117 | 1.8 | 1/3 | 825 | 232 | NA | 273 |
| 4HP14L60P-7 | 208-230/60/1 | 197-253 | 29.4 | 50 | 22.1 | 125 | 1.8 | 1/3 | 825 | 228 | NA | 297 |

Note:
Weights listed are unit weights with packaging
+ Factory charged for 15 feet of line set. Adjust per installation instructions.

Unit Dimensions & Sound Ratings

| Model | Dimensions | | | Sound Ratings (dBa) |
|-------------|------------|---------|---------|---------------------|
| | A (in.) | B (in.) | C (in.) | |
| 4HP14L18P-7 | 28.25 | 28.25 | 29.00 | 76 |
| 4HP14L24P-7 | 28.25 | 28.25 | 37.00 | 76 |
| 4HP14L30P-7 | 28.25 | 28.25 | 37.00 | 76 |
| 4HP14L36P-7 | 28.25 | 28.25 | 33.00 | 76 |
| 4HP14L42P-7 | 32.25 | 32.25 | 37.00 | 79 |
| 4HP14L48P-7 | 32.25 | 32.25 | 37.00 | 80 |
| 4HP14L60P-7 | 32.25 | 32.25 | 43.00 | 80 |

Note:
Dimensions listed are unit sizes w/o packaging



Cooling Performance with Evaporator Coils

| Outdoor Model | Indoor Model | Cooling | | | | Heating | | | | CFM | Refrigerant Connection | | | | Refrigerant Line Size | | Indoor Expansion Device | | |
|---------------|---------------|---------|------|---------------------------------------|------------------------|---------|--------|-------|--------|------|------------------------|--------|---------|--------|-----------------------|--------|-------------------------|-----|---------|
| | | SEER | EER | AHRI Rated Capacity ¹ BTUH | Sensible Capacity BTUH | HSPF | 47 | | 17 | | Outdoor | | Indoor | | Suction | Liquid | Piston ² | TXV | |
| | Butth | | | | | | COP | Butth | COP | | Suction | Liquid | Suction | Liquid | | | | | |
| | | | | | | | | | | | | | | | | | | | Suction |
| 4HP14L18P-7 | E*1P23(A,B) | 13.2 | 11.5 | 18,000 | 13,500 | 8.0 | 17,400 | 3.40 | 10,500 | 2.26 | 650 | 3/4 | 3/8 | 3/4 | 3/8 | 3/4 | 3/8 | NA | H4TXV01 |
| | E*1P24(A,B) | 13.2 | 11.5 | 18,000 | 13,500 | 8.0 | 17,400 | 3.40 | 10,500 | 2.26 | 650 | 3/4 | 3/8 | 3/4 | 3/8 | 3/4 | 3/8 | NA | H4TXV01 |
| 4HP14L24P-7 | E*1P23(A,B) | 14.0 | 12.0 | 23,400 | 17,100 | 8.0 | 22,000 | 3.40 | 14,000 | 2.30 | 850 | 3/4 | 3/8 | 3/4 | 3/8 | 3/4 | 3/8 | NA | H4TXV01 |
| | E*1P24(A,B) | 14.0 | 11.5 | 23,400 | 17,100 | 8.2 | 22,000 | 3.40 | 14,000 | 2.30 | 850 | 3/4 | 3/8 | 3/4 | 3/8 | 3/4 | 3/8 | NA | H4TXV01 |
| | E*1P29(A,B) | 14.0 | 11.5 | 23,400 | 17,100 | 8.2 | 22,000 | 3.40 | 14,000 | 2.30 | 850 | 3/4 | 3/8 | 3/4 | 3/8 | 3/4 | 3/8 | NA | H4TXV01 |
| 4HP14L30P-7 | E*1P29(A,B) | 13.5 | 11.5 | 29,000 | 21,500 | 8.2 | 26,200 | 3.40 | 17,000 | 2.50 | 1050 | 3/4 | 3/8 | 3/4 | 3/8 | 3/4 | 3/8 | NA | H4TXV01 |
| | E*1P30(A,B,C) | 13.2 | 11.5 | 28,000 | 20,700 | 8.2 | 26,200 | 3.40 | 16,000 | 2.30 | 1050 | 3/4 | 3/8 | 3/4 | 3/8 | 3/4 | 3/8 | NA | H4TXV01 |
| | E*1P36(A,B,C) | 13.5 | 11.5 | 29,000 | 21,500 | 8.2 | 26,200 | 3.40 | 17,000 | 2.50 | 1050 | 3/4 | 3/8 | 3/4 | 3/8 | 3/4 | 3/8 | NA | H4TXV01 |
| 4HP14L36P-7 | E*1P36(B,C) | 13.5 | 12.0 | 34,400 | 25,800 | 8.2 | 34,200 | 3.50 | 21,800 | 2.50 | 1250 | 7/8 | 3/8 | 3/4 | 3/8 | 7/8 | 3/8 | NA | H4TXV02 |
| | E*1P43(B,C) | 13.5 | 11.5 | 34,400 | 25,800 | 8.2 | 34,000 | 3.50 | 21,800 | 2.40 | 1250 | 7/8 | 3/8 | 7/8 | 3/8 | 7/8 | 3/8 | NA | H4TXV02 |
| 4HP14L42P-7 | E*1P49C | 14.0 | 12.0 | 42,000 | 30,700 | 8.2 | 42,000 | 3.50 | 27,800 | 2.40 | 1400 | 7/8 | 3/8 | 7/8 | 3/8 | 7/8 | 3/8 | NA | H4TXV02 |
| | E*1P62D | 14.0 | 12.0 | 42,000 | 30,700 | 8.2 | 42,000 | 3.50 | 28,800 | 2.40 | 1400 | 7/8 | 3/8 | 7/8 | 3/8 | 7/8 | 3/8 | NA | H4TXV02 |
| 4HP14L48P-7 | E*1P49C | 14.0 | 12.0 | 48,000 | 34,600 | 8.2 | 46,500 | 3.40 | 29,600 | 2.50 | 1600 | 7/8 | 3/8 | 7/8 | 3/8 | 7/8 | 3/8 | NA | H4TXV02 |
| | E*1P62D | 14.0 | 12.0 | 48,000 | 34,600 | 8.2 | 46,500 | 3.40 | 29,600 | 2.50 | 1600 | 7/8 | 3/8 | 7/8 | 3/8 | 7/8 | 3/8 | NA | H4TXV02 |
| 4HP14L60P-7 | E*1P62C | 14.0 | 12.0 | 58,000 | 42,300 | 8.2 | 55,000 | 3.40 | 36,000 | 2.50 | 1900 | 7/8 | 3/8 | 7/8 | 3/8 | 1 1/8 | 3/8 | NA | H4TXV03 |
| | E*1P62D | 14.0 | 12.0 | 58,000 | 42,300 | 8.2 | 55,000 | 3.40 | 36,000 | 2.50 | 1900 | 7/8 | 3/8 | 7/8 | 3/8 | 1 1/8 | 3/8 | NA | H4TXV03 |

Note:

¹ Certified in accordance with Unitary Air Conditioner Certification Program, which is based on AHRI Standard 210/240

² Required to achieve AHRI rating. If NA (Not Applicable) is in the piston column, then TXV is required.

³ A blower time delay relay is required to achieve AHRI rating. This feature is standard on all Allied Air Enterprises furnace and AH products.

Cooling Performance with Air Handlers and Furnaces 18

| Outdoor Model | Indoor Model | | Cooling | | | | Heating | | | | CFM | Refrigerant Connection | | | | Refrig. Line Size | | Indoor Expansion Device | | |
|-----------------|--|----------------|---------|--------|--------------------------------------|------------------------------|---------|--------|--------|---------|------|------------------------|---------|--------|-----|-------------------|--------|-------------------------|---------|---------|
| | | | SEER | EER | ARI Rated Capacity ¹ Btuh | Rated Sensible Capacity Btuh | HSPF | 47 | | 17 | | Outdoor | | Indoor | | Suction | Liquid | Piston ² | TXV | |
| | Btuh | COP | | | | | | Btuh | COP | Suction | | Liquid | Suction | Liquid | | | | | | |
| 4HP14L18P-7 | BCS2M18C****P+TXV | | 14.0 | 11.5 | 18,000 | 13,500 | 7.7 | 16,600 | 3.4 | 10,500 | 2.26 | 650 | 3/4 | 3/8 | 3/4 | 3/8 | 3/4 | 3/8 | NA | H4TXV01 |
| | BCS2M24V****P+TXV | | 15.0 | 12.5 | 18,000 | 13,500 | 8.0 | 16,600 | 3.4 | 10,100 | 2.20 | 650 | 3/4 | 3/8 | 3/4 | 3/8 | 3/4 | 3/8 | NA | H4TXV01 |
| | BCS3M18C****P+TXV BCE3M18C****P+TXV | | 14.0 | 11.5 | 17,800 | 13,400 | 8.0 | 16,800 | 3.4 | 10,500 | 2.26 | 640 | 3/4 | 3/8 | 3/4 | 3/8 | 3/4 | 3/8 | NA | H4TXV01 |
| | E*1P23A+H4TXV01 | 80G2UH070AV12* | 15.0 | 12.5 | 18,000 | 13,400 | 8.5 | 17,400 | 3.7 | 10,400 | 2.40 | 650 | 3/4 | 3/8 | 3/4 | 3/8 | 3/4 | 3/8 | NA | H4TXV01 |
| | E*1P23A+H4TXV01 | 80G1DF045AE12 | 14.5 | 12.0 | 18,000 | 13,400 | 8.5 | 17,400 | 3.7 | 10,400 | 2.40 | 650 | 3/4 | 3/8 | 3/4 | 3/8 | 3/4 | 3/8 | NA | H4TXV01 |
| | E*1P23A+H4TXV01 | 80G1UH045AE12 | 14.5 | 12.0 | 18,000 | 13,400 | 8.5 | 17,400 | 3.7 | 10,400 | 2.40 | 650 | 3/4 | 3/8 | 3/4 | 3/8 | 3/4 | 3/8 | NA | H4TXV01 |
| | E*1P23B+H4TXV01 | 80G2UH090BV16* | 15.0 | 12.5 | 18,000 | 13,400 | 8.5 | 17,400 | 3.7 | 10,400 | 2.40 | 650 | 3/4 | 3/8 | 3/4 | 3/8 | 3/4 | 3/8 | NA | H4TXV01 |
| | E*1P23B+H4TXV01 | EFV08BC | 15.0 | 12.5 | 18,000 | 13,400 | 8.5 | 17,400 | 3.7 | 10,400 | 2.40 | 650 | 3/4 | 3/8 | 3/4 | 3/8 | 3/4 | 3/8 | NA | H4TXV01 |
| | E*1P23B+H4TXV01 | 80G1UH070BE12 | 14.5 | 12.0 | 18,000 | 13,400 | 8.5 | 17,400 | 3.7 | 10,400 | 2.40 | 650 | 3/4 | 3/8 | 3/4 | 3/8 | 3/4 | 3/8 | NA | H4TXV01 |
| | E*1P23B+H4TXV01 | 95G1DF045BE12 | 14.0 | 12.0 | 18,000 | 13,400 | 8.5 | 17,400 | 3.7 | 10,400 | 2.40 | 650 | 3/4 | 3/8 | 3/4 | 3/8 | 3/4 | 3/8 | NA | H4TXV01 |
| | E*1P23B+H4TXV01 | 95G2DF070BV16 | 14.5 | 12.5 | 18,000 | 13,400 | 8.5 | 17,400 | 3.7 | 10,400 | 2.40 | 650 | 3/4 | 3/8 | 3/4 | 3/8 | 3/4 | 3/8 | NA | H4TXV01 |
| | E*1P23B+H4TXV01 | 95G2DF045BV12 | 15.0 | 12.5 | 18,000 | 13,400 | 8.5 | 17,400 | 3.7 | 10,400 | 2.40 | 650 | 3/4 | 3/8 | 3/4 | 3/8 | 3/4 | 3/8 | NA | H4TXV01 |
| | E*1P23B+H4TXV01 | 80G1DF070BE12 | 14.5 | 12.0 | 18,000 | 13,400 | 8.5 | 17,400 | 3.7 | 10,400 | 2.40 | 650 | 3/4 | 3/8 | 3/4 | 3/8 | 3/4 | 3/8 | NA | H4TXV01 |
| | E*1P23B+H4TXV01 | 95G2UH070BV12 | 15.0 | 12.5 | 18,000 | 13,400 | 8.5 | 17,400 | 3.7 | 10,400 | 2.40 | 650 | 3/4 | 3/8 | 3/4 | 3/8 | 3/4 | 3/8 | NA | H4TXV01 |
| | E*1P23B+H4TXV01 | 95G1UH070BE12 | 14.5 | 12.0 | 18,000 | 13,400 | 8.5 | 17,400 | 3.7 | 10,400 | 2.40 | 650 | 3/4 | 3/8 | 3/4 | 3/8 | 3/4 | 3/8 | NA | H4TXV01 |
| | E*1P23B+H4TXV01 | 95G2UH045BV12 | 14.5 | 12.5 | 18,000 | 13,400 | 8.5 | 17,400 | 3.7 | 10,400 | 2.40 | 650 | 3/4 | 3/8 | 3/4 | 3/8 | 3/4 | 3/8 | NA | H4TXV01 |
| | E*1P23B+H4TXV01 | 95G1UH045BE12 | 14.0 | 12.0 | 18,000 | 13,400 | 8.5 | 17,400 | 3.7 | 10,400 | 2.40 | 650 | 3/4 | 3/8 | 3/4 | 3/8 | 3/4 | 3/8 | NA | H4TXV01 |
| | E*1P24A+H4TXV01 | 80G2UH070AV12* | 15.0 | 12.5 | 18,000 | 13,400 | 8.2 | 17,400 | 3.7 | 10,400 | 2.40 | 650 | 3/4 | 3/8 | 3/4 | 3/8 | 3/4 | 3/8 | NA | H4TXV01 |
| | E*1P24A+H4TXV01 | 80G1DF045AE12 | 14.0 | 12.0 | 18,000 | 13,400 | 8.2 | 17,400 | 3.7 | 10,400 | 2.40 | 650 | 3/4 | 3/8 | 3/4 | 3/8 | 3/4 | 3/8 | NA | H4TXV01 |
| | E*1P24A+H4TXV01 | 80G1UH045AE12 | 14.5 | 12.0 | 18,000 | 13,400 | 8.2 | 17,400 | 3.7 | 10,400 | 2.40 | 650 | 3/4 | 3/8 | 3/4 | 3/8 | 3/4 | 3/8 | NA | H4TXV01 |
| | E*1P24B+H4TXV01 | 80G2UH090BV16* | 15.0 | 12.5 | 18,000 | 13,400 | 8.2 | 17,400 | 3.7 | 10,400 | 2.40 | 650 | 3/4 | 3/8 | 3/4 | 3/8 | 3/4 | 3/8 | NA | H4TXV01 |
| | E*1P24B+H4TXV01 | EFV08BC | 15.0 | 12.5 | 18,000 | 13,400 | 8.2 | 17,400 | 3.7 | 10,400 | 2.40 | 650 | 3/4 | 3/8 | 3/4 | 3/8 | 3/4 | 3/8 | NA | H4TXV01 |
| | E*1P24B+H4TXV01 | 95G1DF045BE12 | 14.0 | 12.0 | 18,000 | 13,400 | 8.2 | 17,400 | 3.7 | 10,400 | 2.40 | 650 | 3/4 | 3/8 | 3/4 | 3/8 | 3/4 | 3/8 | NA | H4TXV01 |
| | E*1P24B+H4TXV01 | 95G2DF070BV16 | 14.5 | 12.5 | 18,000 | 13,400 | 8.2 | 17,400 | 3.7 | 10,400 | 2.40 | 650 | 3/4 | 3/8 | 3/4 | 3/8 | 3/4 | 3/8 | NA | H4TXV01 |
| | E*1P24B+H4TXV01 | 80G1UH070BE12 | 14.0 | 12.0 | 18,000 | 13,400 | 8.2 | 17,400 | 3.7 | 10,400 | 2.40 | 650 | 3/4 | 3/8 | 3/4 | 3/8 | 3/4 | 3/8 | NA | H4TXV01 |
| | E*1P24B+H4TXV01 | 95G1UH070BE12 | 14.0 | 12.0 | 18,000 | 13,400 | 8.2 | 17,400 | 3.7 | 10,400 | 2.40 | 650 | 3/4 | 3/8 | 3/4 | 3/8 | 3/4 | 3/8 | NA | H4TXV01 |
| | E*1P24B+H4TXV01 | 80G1DF070BE12 | 14.5 | 12.0 | 18,000 | 13,400 | 8.2 | 17,400 | 3.7 | 10,400 | 2.40 | 650 | 3/4 | 3/8 | 3/4 | 3/8 | 3/4 | 3/8 | NA | H4TXV01 |
| | E*1P24B+H4TXV01 | 95G2UH045BV12 | 14.5 | 12.5 | 18,000 | 13,400 | 8.2 | 17,400 | 3.7 | 10,400 | 2.40 | 650 | 3/4 | 3/8 | 3/4 | 3/8 | 3/4 | 3/8 | NA | H4TXV01 |
| | E*1P24B+H4TXV01 | 95G1UH045BE12 | 14.0 | 12.0 | 18,000 | 13,400 | 8.2 | 17,400 | 3.7 | 10,400 | 2.40 | 650 | 3/4 | 3/8 | 3/4 | 3/8 | 3/4 | 3/8 | NA | H4TXV01 |
| | E*1P24B+H4TXV01 | 95G2DF045BV12 | 15.0 | 12.5 | 18,000 | 13,400 | 8.2 | 17,400 | 3.7 | 10,400 | 2.40 | 650 | 3/4 | 3/8 | 3/4 | 3/8 | 3/4 | 3/8 | NA | H4TXV01 |
| E*1P24B+H4TXV01 | 95G2UH070BV12 | 15.0 | 12.5 | 18,000 | 13,400 | 8.2 | 17,400 | 3.7 | 10,400 | 2.40 | 650 | 3/4 | 3/8 | 3/4 | 3/8 | 3/4 | 3/8 | NA | H4TXV01 | |

Note:

1 Certified in accordance with Unitary Air Conditioner Certification Program, which is based on AHRI Standard 210/240

2 Required to achieve AHRI rating. If NA (Not Applicable) is in the piston column, then TXV is required.

3 A blower time delay relay is required to achieve AHRI rating. This feature is standard on all Allied Air Enterprises furnace and AH products.

Cooling Performance with Air Handlers and Furnaces 24

| Outdoor Model | Indoor Model | | Cooling | | | | Heating | | | | CFM | Refrigerant Connection | | | | Refrig. Line Size | | Indoor Expansion Device | | |
|-----------------|---|----------------|---------|--------|--------------------------------------|------------------------------|---------|--------|--------|--------|------|------------------------|---------|--------|---------|-------------------|--------|-------------------------|---------|---------|
| | Evaporator Coil or Air Handler ³ | Furnace | SEER | EER | ARI Rated Capacity ¹ Btuh | Rated Sensible Capacity Btuh | HSPF | 47 | | 17 | | Outdoor | | Indoor | | Suction | Liquid | Piston ² | TXV | |
| | | | | | | | | Btuh | COP | Btuh | | COP | Suction | Liquid | Suction | | | | | Liquid |
| | | | | | | | | | | | | | | | | | | | | |
| 4HP14L24P-7 | BCS2M24C****P+TXV | | 14.0 | 12.0 | 23,400 | 17,100 | 8.2 | 22,000 | 3.4 | 14,000 | 2.30 | 850 | 3/4 | 3/8 | 3/4 | 3/8 | 3/4 | 3/8 | NA | H4TXV01 |
| | BCS2M24V****P+TXV | | 15.0 | 12.5 | 23,400 | 17,100 | 8.5 | 21,600 | 3.6 | 13,600 | 2.50 | 850 | 3/4 | 3/8 | 3/4 | 3/8 | 3/4 | 3/8 | NA | H4TXV01 |
| | BCS3M24C****P+TXV BCE3M24C****P+TXV | | 14.0 | 12.0 | 23,400 | 17,100 | 8.2 | 21,600 | 3.4 | 14,000 | 2.30 | 850 | 3/4 | 3/8 | 7/8 | 3/8 | 3/4 | 3/8 | NA | H4TXV01 |
| | E*1P23A+H4TXV01 | 80G2UH070AV12* | 15.0 | 12.5 | 23,400 | 17,100 | 8.2 | 21,600 | 3.6 | 14,000 | 2.50 | 850 | 3/4 | 3/8 | 3/4 | 3/8 | 3/4 | 3/8 | NA | H4TXV01 |
| | E*1P23A+H4TXV01 | 80G1UH045AE12 | 14.5 | 12.0 | 23,400 | 17,100 | 8.2 | 21,600 | 3.6 | 14,000 | 2.50 | 850 | 3/4 | 3/8 | 3/4 | 3/8 | 3/4 | 3/8 | NA | H4TXV01 |
| | E*1P23A+H4TXV01 | 80G1DF045AE12 | 15.0 | 12.5 | 23,400 | 17,100 | 8.2 | 21,600 | 3.6 | 14,000 | 2.50 | 850 | 3/4 | 3/8 | 3/4 | 3/8 | 3/4 | 3/8 | NA | H4TXV01 |
| | E*1P23B+H4TXV01 | EFV08BC | 15.0 | 12.5 | 23,400 | 17,100 | 8.2 | 21,600 | 3.6 | 14,000 | 2.50 | 850 | 3/4 | 3/8 | 3/4 | 3/8 | 3/4 | 3/8 | NA | H4TXV01 |
| | E*1P23B+H4TXV01 | 80G2UH090BV16* | 15.0 | 12.5 | 23,400 | 17,100 | 8.2 | 21,600 | 3.6 | 14,000 | 2.50 | 850 | 3/4 | 3/8 | 3/4 | 3/8 | 3/4 | 3/8 | NA | H4TXV01 |
| | E*1P23B+H4TXV01 | 95G1UH045BE12 | 14.5 | 12.0 | 23,400 | 17,100 | 8.2 | 21,600 | 3.6 | 14,000 | 2.50 | 850 | 3/4 | 3/8 | 3/4 | 3/8 | 3/4 | 3/8 | NA | H4TXV01 |
| | E*1P23B+H4TXV01 | 95G1UH070BE12 | 14.5 | 12.0 | 23,400 | 17,100 | 8.2 | 21,600 | 3.6 | 14,000 | 2.50 | 850 | 3/4 | 3/8 | 3/4 | 3/8 | 3/4 | 3/8 | NA | H4TXV01 |
| | E*1P23B+H4TXV01 | 80G1DF070BE12 | 15.0 | 12.5 | 23,400 | 17,100 | 8.2 | 21,600 | 3.6 | 14,000 | 2.50 | 850 | 3/4 | 3/8 | 3/4 | 3/8 | 3/4 | 3/8 | NA | H4TXV01 |
| | E*1P23B+H4TXV01 | 95G2UH070BV12 | 15.0 | 12.5 | 23,400 | 17,100 | 8.2 | 21,600 | 3.6 | 14,000 | 2.50 | 850 | 3/4 | 3/8 | 3/4 | 3/8 | 3/4 | 3/8 | NA | H4TXV01 |
| | E*1P23B+H4TXV01 | 95G2UH045BV12 | 15.0 | 12.5 | 23,400 | 17,100 | 8.2 | 21,600 | 3.6 | 14,000 | 2.50 | 850 | 3/4 | 3/8 | 3/4 | 3/8 | 3/4 | 3/8 | NA | H4TXV01 |
| | E*1P23B+H4TXV01 | 95G1DF045BE12 | 14.5 | 12.0 | 23,400 | 17,100 | 8.2 | 21,600 | 3.6 | 14,000 | 2.50 | 850 | 3/4 | 3/8 | 3/4 | 3/8 | 3/4 | 3/8 | NA | H4TXV01 |
| | E*1P23B+H4TXV01 | 95G2DF070BV16 | 15.0 | 12.5 | 23,400 | 17,100 | 8.2 | 21,600 | 3.6 | 14,000 | 2.50 | 850 | 3/4 | 3/8 | 3/4 | 3/8 | 3/4 | 3/8 | NA | H4TXV01 |
| | E*1P23B+H4TXV01 | 80G1UH070BE12 | 15.0 | 12.5 | 23,400 | 17,100 | 8.2 | 21,600 | 3.6 | 14,000 | 2.50 | 850 | 3/4 | 3/8 | 3/4 | 3/8 | 3/4 | 3/8 | NA | H4TXV01 |
| | E*1P23B+H4TXV01 | 95G2DF045BV12 | 15.0 | 12.5 | 23,400 | 17,100 | 8.2 | 21,600 | 3.6 | 14,000 | 2.50 | 850 | 3/4 | 3/8 | 3/4 | 3/8 | 3/4 | 3/8 | NA | H4TXV01 |
| | E*1P24A+H4TXV01 | 80G2UH070AV12* | 15.0 | 12.5 | 23,400 | 17,100 | 8.5 | 21,600 | 3.6 | 14,000 | 2.50 | 850 | 3/4 | 3/8 | 3/4 | 3/8 | 3/4 | 3/8 | NA | H4TXV01 |
| | E*1P24A+H4TXV01 | 80G1UH045AE12 | 14.5 | 12.0 | 23,400 | 17,100 | 8.5 | 21,600 | 3.6 | 14,000 | 2.50 | 850 | 3/4 | 3/8 | 3/4 | 3/8 | 3/4 | 3/8 | NA | H4TXV01 |
| | E*1P24A+H4TXV01 | 80G1DF045AE12 | 15.0 | 12.5 | 23,400 | 17,100 | 8.5 | 21,600 | 3.6 | 14,000 | 2.50 | 850 | 3/4 | 3/8 | 3/4 | 3/8 | 3/4 | 3/8 | NA | H4TXV01 |
| | E*1P24B+H4TXV01 | 80G2UH090BV16* | 15.0 | 12.5 | 23,400 | 17,100 | 8.5 | 21,600 | 3.6 | 14,000 | 2.50 | 850 | 3/4 | 3/8 | 3/4 | 3/8 | 3/4 | 3/8 | NA | H4TXV01 |
| | E*1P24B+H4TXV01 | EFV08BC | 15.0 | 12.5 | 23,400 | 17,100 | 8.5 | 21,600 | 3.6 | 14,000 | 2.50 | 850 | 3/4 | 3/8 | 3/4 | 3/8 | 3/4 | 3/8 | NA | H4TXV01 |
| | E*1P24B+H4TXV01 | 80G1DF070BE12 | 15.0 | 12.5 | 23,400 | 17,100 | 8.5 | 21,600 | 3.6 | 14,000 | 2.50 | 850 | 3/4 | 3/8 | 3/4 | 3/8 | 3/4 | 3/8 | NA | H4TXV01 |
| | E*1P24B+H4TXV01 | 95G2UH070BV12 | 15.0 | 12.5 | 23,400 | 17,100 | 8.5 | 21,600 | 3.6 | 14,000 | 2.50 | 850 | 3/4 | 3/8 | 3/4 | 3/8 | 3/4 | 3/8 | NA | H4TXV01 |
| | E*1P24B+H4TXV01 | 80G1UH070BE12 | 15.0 | 12.5 | 23,400 | 17,100 | 8.5 | 21,600 | 3.6 | 14,000 | 2.50 | 850 | 3/4 | 3/8 | 3/4 | 3/8 | 3/4 | 3/8 | NA | H4TXV01 |
| | E*1P24B+H4TXV01 | 95G2DF045BV12 | 15.0 | 12.5 | 23,400 | 17,100 | 8.5 | 21,600 | 3.6 | 14,000 | 2.50 | 850 | 3/4 | 3/8 | 3/4 | 3/8 | 3/4 | 3/8 | NA | H4TXV01 |
| | E*1P24B+H4TXV01 | 95G1UH070BE12 | 14.5 | 12.0 | 23,400 | 17,100 | 8.5 | 21,600 | 3.6 | 14,000 | 2.50 | 850 | 3/4 | 3/8 | 3/4 | 3/8 | 3/4 | 3/8 | NA | H4TXV01 |
| | E*1P24B+H4TXV01 | 95G2UH045BV12 | 15.0 | 12.5 | 23,400 | 17,100 | 8.5 | 21,600 | 3.6 | 14,000 | 2.50 | 850 | 3/4 | 3/8 | 3/4 | 3/8 | 3/4 | 3/8 | NA | H4TXV01 |
| | E*1P24B+H4TXV01 | 95G1UH045BE12 | 14.5 | 12.0 | 23,400 | 17,100 | 8.5 | 21,600 | 3.6 | 14,000 | 2.50 | 850 | 3/4 | 3/8 | 3/4 | 3/8 | 3/4 | 3/8 | NA | H4TXV01 |
| | E*1P24B+H4TXV01 | 95G2DF070BV16 | 15.0 | 12.5 | 23,400 | 17,100 | 8.5 | 21,600 | 3.6 | 14,000 | 2.50 | 850 | 3/4 | 3/8 | 3/4 | 3/8 | 3/4 | 3/8 | NA | H4TXV01 |
| E*1P24B+H4TXV01 | 95G1DF045BE12 | 14.5 | 12.0 | 23,400 | 17,100 | 8.5 | 21,600 | 3.6 | 14,000 | 2.50 | 850 | 3/4 | 3/8 | 3/4 | 3/8 | 3/4 | 3/8 | NA | H4TXV01 | |

Note:

1 Certified in accordance with Unitary Air Conditioner Certification Program, which is based on AHRI Standard 210/240

2 Required to achieve AHRI rating. If NA (Not Applicable) is in the piston column, then TXV is required.

3 A blower time delay relay is required to achieve AHRI rating. This feature is standard on all Allied Air Enterprises furnace and AH products.

Cooling Performance with Air Handlers and Furnaces 24, 30

| Outdoor Model | Indoor Model | | Cooling | | | | Heating | | | | CFM | Refrigerant Connection | | | | Refrig. Line Size | | Indoor Expansion Device | | |
|---------------|---|----------------|---------|------|--------------------------------------|------------------------------|---------|--------|-----|--------|------|------------------------|---------|--------|---------|-------------------|--------|-------------------------|-----|---------|
| | Evaporator Coil or Air Handler ³ | Furnace | SEER | EER | ARI Rated Capacity ¹ Btuh | Rated Sensible Capacity Btuh | HSPF | 47 | | 17 | | Outdoor | | Indoor | | Suction | Liquid | Piston ² | TXV | |
| | | | | | | | | Btuh | COP | Btuh | | COP | Suction | Liquid | Suction | | | | | Liquid |
| | | | | | | | | | | | | | | | | | | | | |
| 4HP14L24P-7 | E*1P29A+H4TXV01 | 80G2UH070AV12* | 15.0 | 12.5 | 23,400 | 17,100 | 8.5 | 21,600 | 3.6 | 14,000 | 2.50 | 850 | 3/4 | 3/8 | 3/4 | 3/8 | 3/4 | 3/8 | NA | H4TXV01 |
| | E*1P29A+H4TXV01 | 80G1DF045AE12 | 15.0 | 12.5 | 23,400 | 17,100 | 8.5 | 21,600 | 3.6 | 14,000 | 2.50 | 850 | 3/4 | 3/8 | 3/4 | 3/8 | 3/4 | 3/8 | NA | H4TXV01 |
| | E*1P29A+H4TXV01 | 80G1UH045AE12 | 14.5 | 12.0 | 23,400 | 17,100 | 8.5 | 21,600 | 3.6 | 14,000 | 2.50 | 850 | 3/4 | 3/8 | 3/4 | 3/8 | 3/4 | 3/8 | NA | H4TXV01 |
| | E*1P29B+H4TXV01 | 80G2UH090BV16* | 15.0 | 12.5 | 23,400 | 17,100 | 8.5 | 21,600 | 3.6 | 14,000 | 2.50 | 850 | 3/4 | 3/8 | 3/4 | 3/8 | 3/4 | 3/8 | NA | H4TXV01 |
| | E*1P29B+H4TXV01 | EFV08BC | 15.0 | 12.5 | 23,400 | 17,100 | 8.5 | 21,600 | 3.6 | 14,000 | 2.50 | 850 | 3/4 | 3/8 | 3/4 | 3/8 | 3/4 | 3/8 | NA | H4TXV01 |
| | E*1P29B+H4TXV01 | 95G2DF045BV12 | 15.0 | 12.5 | 23,400 | 17,100 | 8.5 | 21,600 | 3.6 | 14,000 | 2.50 | 850 | 3/4 | 3/8 | 3/4 | 3/8 | 3/4 | 3/8 | NA | H4TXV01 |
| | E*1P29B+H4TXV01 | 95G2DF070BV16 | 15.0 | 12.5 | 23,400 | 17,100 | 8.5 | 21,600 | 3.6 | 14,000 | 2.50 | 850 | 3/4 | 3/8 | 3/4 | 3/8 | 3/4 | 3/8 | NA | H4TXV01 |
| | E*1P29B+H4TXV01 | 95G1DF045BE12 | 14.5 | 12.0 | 23,400 | 17,100 | 8.5 | 21,600 | 3.6 | 14,000 | 2.50 | 850 | 3/4 | 3/8 | 3/4 | 3/8 | 3/4 | 3/8 | NA | H4TXV01 |
| | E*1P29B+H4TXV01 | 80G1UH070BE12 | 15.0 | 12.5 | 23,400 | 17,100 | 8.5 | 21,600 | 3.6 | 14,000 | 2.50 | 850 | 3/4 | 3/8 | 3/4 | 3/8 | 3/4 | 3/8 | NA | H4TXV01 |
| | E*1P29B+H4TXV01 | 95G1UH070BE12 | 14.5 | 12.0 | 23,400 | 17,100 | 8.5 | 21,600 | 3.6 | 14,000 | 2.50 | 850 | 3/4 | 3/8 | 3/4 | 3/8 | 3/4 | 3/8 | NA | H4TXV01 |
| | E*1P29B+H4TXV01 | 80G1DF070BE12 | 15.0 | 12.5 | 23,400 | 17,100 | 8.5 | 21,600 | 3.6 | 14,000 | 2.50 | 850 | 3/4 | 3/8 | 3/4 | 3/8 | 3/4 | 3/8 | NA | H4TXV01 |
| | E*1P29B+H4TXV01 | 95G2UH070BV12 | 15.0 | 12.5 | 23,400 | 17,100 | 8.5 | 21,600 | 3.6 | 14,000 | 2.50 | 850 | 3/4 | 3/8 | 3/4 | 3/8 | 3/4 | 3/8 | NA | H4TXV01 |
| | E*1P29B+H4TXV01 | 95G1UH045BE12 | 14.5 | 12.0 | 23,400 | 17,100 | 8.5 | 21,600 | 3.6 | 14,000 | 2.50 | 850 | 3/4 | 3/8 | 3/4 | 3/8 | 3/4 | 3/8 | NA | H4TXV01 |
| | E*1P29B+H4TXV01 | 95G2UH045BV12 | 15.0 | 12.5 | 23,400 | 17,100 | 8.5 | 21,600 | 3.6 | 14,000 | 2.50 | 850 | 3/4 | 3/8 | 3/4 | 3/8 | 3/4 | 3/8 | NA | H4TXV01 |
| 4HP14L30P-7 | BCS2M30C****P+TXV | | 14.0 | 12.0 | 29,000 | 21,500 | 8.2 | 26,200 | 3.4 | 17,000 | 2.50 | 1,050 | 3/4 | 3/8 | 7/8 | 3/8 | 3/4 | 3/8 | NA | H4TXV01 |
| | BCS2M36V****P+TXV | | 15.0 | 12.5 | 29,000 | 21,500 | 8.5 | 26,200 | 3.6 | 17,000 | 2.50 | 1,050 | 3/4 | 3/8 | 7/8 | 3/8 | 3/4 | 3/8 | NA | H4TXV01 |
| | BCS3M30C****P+TXV BCE3M30C****P+TXV | | 14.0 | 12.0 | 28,600 | 21,200 | 8.2 | 26,200 | 3.4 | 17,000 | 2.50 | 1,050 | 3/4 | 3/8 | 7/8 | 3/8 | 3/4 | 3/8 | NA | H4TXV01 |
| | E*1P29A+H4TXV01 | 80G2UH070AV12* | 15.0 | 12.5 | 29,000 | 21,500 | 8.5 | 26,200 | 3.6 | 17,000 | 2.50 | 1,050 | 3/4 | 3/8 | 3/4 | 3/8 | 3/4 | 3/8 | NA | H4TXV01 |
| | E*1P29A+H4TXV01 | 80G1UH045AE12 | 14.0 | 12.0 | 29,000 | 21,500 | 8.2 | 26,200 | 3.5 | 17,000 | 2.50 | 1,050 | 3/4 | 3/8 | 3/4 | 3/8 | 3/4 | 3/8 | NA | H4TXV01 |
| | E*1P29A+H4TXV01 | 80G1DF045AE12 | 14.5 | 12.5 | 29,000 | 21,500 | 8.5 | 26,200 | 3.6 | 17,000 | 2.50 | 1,050 | 3/4 | 3/8 | 3/4 | 3/8 | 3/4 | 3/8 | NA | H4TXV01 |
| | E*1P29B+H4TXV01 | 80G2UH090BV16* | 14.5 | 12.5 | 29,000 | 21,500 | 8.5 | 26,200 | 3.6 | 17,000 | 2.50 | 1,050 | 3/4 | 3/8 | 3/4 | 3/8 | 3/4 | 3/8 | NA | H4TXV01 |
| | E*1P29B+H4TXV01 | EFV12BC | 14.5 | 12.5 | 29,000 | 21,500 | 8.5 | 26,200 | 3.6 | 17,000 | 2.50 | 1,050 | 3/4 | 3/8 | 3/4 | 3/8 | 3/4 | 3/8 | NA | H4TXV01 |
| | E*1P29B+H4TXV01 | 95G2DF070BV16 | 14.0 | 12.0 | 29,000 | 21,500 | 8.5 | 26,200 | 3.6 | 17,000 | 2.50 | 1,050 | 3/4 | 3/8 | 3/4 | 3/8 | 3/4 | 3/8 | NA | H4TXV01 |
| | E*1P29B+H4TXV01 | 95G2UH045BV12 | 14.0 | 12.0 | 29,000 | 21,500 | 8.5 | 26,200 | 3.6 | 17,000 | 2.50 | 1,050 | 3/4 | 3/8 | 3/4 | 3/8 | 3/4 | 3/8 | NA | H4TXV01 |
| | E*1P29B+H4TXV01 | 80G1UH070BE12 | 14.5 | 12.5 | 29,000 | 21,500 | 8.5 | 26,200 | 3.6 | 17,000 | 2.50 | 1,050 | 3/4 | 3/8 | 3/4 | 3/8 | 3/4 | 3/8 | NA | H4TXV01 |
| | E*1P29B+H4TXV01 | 95G2DF045BV12 | 14.5 | 12.5 | 29,000 | 21,500 | 8.5 | 26,200 | 3.6 | 17,000 | 2.50 | 1,050 | 3/4 | 3/8 | 3/4 | 3/8 | 3/4 | 3/8 | NA | H4TXV01 |
| | E*1P29B+H4TXV01 | 95G2UH070BV12 | 14.5 | 12.5 | 29,000 | 21,500 | 8.5 | 26,200 | 3.6 | 17,000 | 2.50 | 1,050 | 3/4 | 3/8 | 3/4 | 3/8 | 3/4 | 3/8 | NA | H4TXV01 |
| | E*1P29B+H4TXV01 | 80G1UH090BE16 | 14.5 | 12.5 | 29,000 | 21,500 | 8.5 | 26,200 | 3.5 | 17,000 | 2.50 | 1,050 | 3/4 | 3/8 | 3/4 | 3/8 | 3/4 | 3/8 | NA | H4TXV01 |
| | E*1P29B+H4TXV01 | 95G1UH070BE12 | 14.0 | 12.0 | 29,000 | 21,500 | 8.5 | 26,200 | 3.5 | 17,000 | 2.50 | 1,050 | 3/4 | 3/8 | 3/4 | 3/8 | 3/4 | 3/8 | NA | H4TXV01 |
| | E*1P29B+H4TXV01 | 95G1UH045BE12 | 14.0 | 12.0 | 29,000 | 21,500 | 8.5 | 26,200 | 3.6 | 17,000 | 2.50 | 1,050 | 3/4 | 3/8 | 3/4 | 3/8 | 3/4 | 3/8 | NA | H4TXV01 |
| | E*1P29B+H4TXV01 | 80G1DF090BE16 | 14.5 | 12.5 | 29,000 | 21,500 | 8.5 | 26,200 | 3.6 | 17,000 | 2.50 | 1,050 | 3/4 | 3/8 | 3/4 | 3/8 | 3/4 | 3/8 | NA | H4TXV01 |

Note:

1 Certified in accordance with Unitary Air Conditioner Certification Program, which is based on AHRI Standard 210/240

2 Required to achieve AHRI rating. If NA (Not Applicable) is in the piston column, then TXV is required.

3 A blower time delay relay is required to achieve AHRI rating. This feature is standard on all Allied Air Enterprises furnace and AH products.

Cooling Performance with Air Handlers and Furnaces 30

| Outdoor Model | Indoor Model | | Cooling | | | | Heating | | | | CFM | Refrigerant Connection | | | | Refrig. Line Size | | Indoor Expansion Device | | |
|-----------------|---|----------------|---------|--------|--------------------------------------|------------------------------|---------|--------|--------|---------|-------|------------------------|---------|--------|-----|-------------------|--------|-------------------------|---------|---------|
| | | | SEER | EER | ARI Rated Capacity ¹ Btuh | Rated Sensible Capacity Btuh | HSPF | 47 | | 17 | | Outdoor | | Indoor | | Suction | Liquid | Piston ² | TXV | |
| | Btuh | COP | | | | | | Btuh | COP | Suction | | Liquid | Suction | Liquid | | | | | | |
| | Evaporator Coil or Air Handler ³ | Furnace | | | | | | | | | | | | | | | | | | |
| 4HP14L30P-7 | E*1P29B+H4TXV01 | 95G1DF070BE16 | 14.0 | 12.0 | 29,000 | 21,500 | 8.5 | 26,200 | 3.6 | 17,000 | 2.50 | 1,050 | 3/4 | 3/8 | 3/4 | 3/8 | 3/4 | 3/8 | NA | H4TXV01 |
| | E*1P29B+H4TXV01 | 80G1DF070BE12 | 14.5 | 12.5 | 29,000 | 21,500 | 8.5 | 26,200 | 3.6 | 17,000 | 2.50 | 1,050 | 3/4 | 3/8 | 3/4 | 3/8 | 3/4 | 3/8 | NA | H4TXV01 |
| | E*1P29B+H4TXV01 | 95G1DF045BE12 | 14.0 | 12.0 | 29,000 | 21,500 | 8.5 | 26,200 | 3.6 | 17,000 | 2.50 | 1,050 | 3/4 | 3/8 | 3/4 | 3/8 | 3/4 | 3/8 | NA | H4TXV01 |
| | E*1P30A+H4TXV01 | 80G2UH070AV12* | 14.5 | 12.5 | 28,000 | 20,700 | 8.5 | 26,200 | 3.6 | 15,600 | 2.40 | 1,050 | 3/4 | 3/8 | 3/4 | 3/8 | 3/4 | 3/8 | NA | H4TXV01 |
| | E*1P30A+H4TXV01 | 80G1UH045AE12 | 13.5 | 11.5 | 28,000 | 20,700 | 8.2 | 26,200 | 3.5 | 15,600 | 2.30 | 1,050 | 3/4 | 3/8 | 3/4 | 3/8 | 3/4 | 3/8 | NA | H4TXV01 |
| | E*1P30A+H4TXV01 | 80G1DF045AE12 | 14.0 | 12.0 | 28,000 | 20,700 | 8.5 | 26,200 | 3.6 | 15,600 | 2.40 | 1,050 | 3/4 | 3/8 | 3/4 | 3/8 | 3/4 | 3/8 | NA | H4TXV01 |
| | E*1P30B+H4TXV01 | 80G2UH090BV16* | 14.0 | 12.0 | 28,000 | 20,700 | 8.5 | 26,200 | 3.6 | 15,600 | 2.30 | 1,050 | 3/4 | 3/8 | 3/4 | 3/8 | 3/4 | 3/8 | NA | H4TXV01 |
| | E*1P30B+H4TXV01 | EFV12BC | 14.0 | 12.0 | 28,000 | 20,700 | 8.5 | 26,200 | 3.6 | 15,600 | 2.40 | 1,050 | 3/4 | 3/8 | 3/4 | 3/8 | 3/4 | 3/8 | NA | H4TXV01 |
| | E*1P30B+H4TXV01 | 80G1UH090BE16 | 14.0 | 12.0 | 28,000 | 20,700 | 8.5 | 26,200 | 3.5 | 15,600 | 2.30 | 1,050 | 3/4 | 3/8 | 3/4 | 3/8 | 3/4 | 3/8 | NA | H4TXV01 |
| | E*1P30B+H4TXV01 | 95G2UH070BV12 | 14.0 | 12.0 | 28,000 | 20,700 | 8.5 | 26,200 | 3.6 | 15,600 | 2.40 | 1,050 | 3/4 | 3/8 | 3/4 | 3/8 | 3/4 | 3/8 | NA | H4TXV01 |
| | E*1P30B+H4TXV01 | 95G1DF045BE12 | 14.0 | 12.0 | 28,000 | 20,700 | 8.2 | 26,200 | 3.6 | 15,600 | 2.40 | 1,050 | 3/4 | 3/8 | 3/4 | 3/8 | 3/4 | 3/8 | NA | H4TXV01 |
| | E*1P30B+H4TXV01 | 80G1DF070BE12 | 14.0 | 12.0 | 28,000 | 20,700 | 8.5 | 26,200 | 3.6 | 15,600 | 2.40 | 1,050 | 3/4 | 3/8 | 3/4 | 3/8 | 3/4 | 3/8 | NA | H4TXV01 |
| | E*1P30B+H4TXV01 | 95G2DF045BV12 | 14.0 | 12.0 | 28,000 | 20,700 | 8.5 | 26,200 | 3.6 | 15,600 | 2.40 | 1,050 | 3/4 | 3/8 | 3/4 | 3/8 | 3/4 | 3/8 | NA | H4TXV01 |
| | E*1P30B+H4TXV01 | 95G1UH070BE12 | 13.5 | 11.5 | 28,000 | 20,700 | 8.5 | 26,200 | 3.5 | 15,600 | 2.30 | 1,050 | 3/4 | 3/8 | 3/4 | 3/8 | 3/4 | 3/8 | NA | H4TXV01 |
| | E*1P30B+H4TXV01 | 80G1UH070BE12 | 14.0 | 12.0 | 28,000 | 20,700 | 8.5 | 26,200 | 3.6 | 15,600 | 2.40 | 1,050 | 3/4 | 3/8 | 3/4 | 3/8 | 3/4 | 3/8 | NA | H4TXV01 |
| | E*1P30B+H4TXV01 | 95G2UH045BV12 | 14.0 | 12.0 | 28,000 | 20,700 | 8.5 | 26,200 | 3.6 | 15,600 | 2.40 | 1,050 | 3/4 | 3/8 | 3/4 | 3/8 | 3/4 | 3/8 | NA | H4TXV01 |
| | E*1P30B+H4TXV01 | 95G1UH045BE12 | 14.0 | 12.0 | 28,000 | 20,700 | 8.2 | 26,200 | 3.6 | 15,600 | 2.40 | 1,050 | 3/4 | 3/8 | 3/4 | 3/8 | 3/4 | 3/8 | NA | H4TXV01 |
| | E*1P30B+H4TXV01 | 80G1DF090BE16 | 14.0 | 12.0 | 28,000 | 20,700 | 8.5 | 26,200 | 3.6 | 15,600 | 2.40 | 1,050 | 3/4 | 3/8 | 3/4 | 3/8 | 3/4 | 3/8 | NA | H4TXV01 |
| | E*1P30B+H4TXV01 | 95G2DF070BV16 | 14.0 | 12.0 | 28,000 | 20,700 | 8.2 | 26,200 | 3.6 | 15,600 | 2.40 | 1,050 | 3/4 | 3/8 | 3/4 | 3/8 | 3/4 | 3/8 | NA | H4TXV01 |
| | E*1P30B+H4TXV01 | 95G1DF070BE16 | 14.0 | 12.0 | 28,000 | 20,700 | 8.2 | 26,200 | 3.6 | 15,600 | 2.40 | 1,050 | 3/4 | 3/8 | 3/4 | 3/8 | 3/4 | 3/8 | NA | H4TXV01 |
| | E*1P30C+H4TXV01 | EFV16CC | 14.5 | 12.5 | 28,000 | 20,700 | 8.5 | 26,200 | 3.6 | 15,600 | 2.40 | 1,050 | 3/4 | 3/8 | 3/4 | 3/8 | 3/4 | 3/8 | NA | H4TXV01 |
| | E*1P30C+H4TXV01 | 95G1DF090CE16 | 14.0 | 12.0 | 28,000 | 20,700 | 8.5 | 26,200 | 3.6 | 15,600 | 2.40 | 1,050 | 3/4 | 3/8 | 3/4 | 3/8 | 3/4 | 3/8 | NA | H4TXV01 |
| | E*1P30C+H4TXV01 | 95G2UH090CV12 | 14.5 | 12.5 | 28,000 | 20,700 | 8.5 | 26,200 | 3.6 | 15,600 | 2.40 | 1,050 | 3/4 | 3/8 | 3/4 | 3/8 | 3/4 | 3/8 | NA | H4TXV01 |
| | E*1P30C+H4TXV01 | 95G2DF110CV20 | 14.0 | 12.0 | 28,000 | 20,700 | 8.5 | 26,200 | 3.6 | 15,600 | 2.40 | 1,050 | 3/4 | 3/8 | 3/4 | 3/8 | 3/4 | 3/8 | NA | H4TXV01 |
| | E*1P30C+H4TXV01 | 95G2DF090CV20 | 14.5 | 12.0 | 28,000 | 20,700 | 8.5 | 26,200 | 3.6 | 15,600 | 2.40 | 1,050 | 3/4 | 3/8 | 3/4 | 3/8 | 3/4 | 3/8 | NA | H4TXV01 |
| | E*1P30C+H4TXV01 | 95G1UH090CE16 | 14.5 | 12.0 | 28,000 | 20,700 | 8.5 | 26,200 | 3.6 | 15,600 | 2.40 | 1,050 | 3/4 | 3/8 | 3/4 | 3/8 | 3/4 | 3/8 | NA | H4TXV01 |
| | E*1P36A+H4TXV01 | 80G2UH070AV12* | 15.0 | 12.5 | 29,000 | 21,500 | 8.5 | 26,200 | 3.6 | 17,000 | 2.50 | 1,050 | 3/4 | 3/8 | 3/4 | 3/8 | 3/4 | 3/8 | NA | H4TXV01 |
| | E*1P36A+H4TXV01 | 80G1DF045AE12 | 14.5 | 12.5 | 29,000 | 21,500 | 8.5 | 26,200 | 3.6 | 17,000 | 2.50 | 1,050 | 3/4 | 3/8 | 3/4 | 3/8 | 3/4 | 3/8 | NA | H4TXV01 |
| | E*1P36B+H4TXV01 | 80G2UH090BV16* | 14.5 | 12.5 | 29,000 | 21,500 | 8.5 | 26,200 | 3.6 | 17,000 | 2.50 | 1,050 | 3/4 | 3/8 | 3/4 | 3/8 | 3/4 | 3/8 | NA | H4TXV01 |
| | E*1P36B+H4TXV01 | EFV12BC | 14.5 | 12.5 | 29,000 | 21,500 | 8.5 | 26,200 | 3.6 | 17,000 | 2.50 | 1,050 | 3/4 | 3/8 | 3/4 | 3/8 | 3/4 | 3/8 | NA | H4TXV01 |
| E*1P36B+H4TXV01 | 80G1DF090BE16 | 14.5 | 12.5 | 29,000 | 21,500 | 8.5 | 26,200 | 3.6 | 17,000 | 2.50 | 1,050 | 3/4 | 3/8 | 3/4 | 3/8 | 3/4 | 3/8 | NA | H4TXV01 | |

Note:

1 Certified in accordance with Unitary Air Conditioner Certification Program, which is based on AHRI Standard 210/240

2 Required to achieve AHRI rating. If NA (Not Applicable) is in the piston column, then TXV is required.

3 A blower time delay relay is required to achieve AHRI rating. This feature is standard on all Allied Air Enterprises furnace and AH products.

Cooling Performance with Air Handlers and Furnaces 30, 36

| Outdoor Model | Indoor Model | | Cooling | | | | Heating | | | | CFM | Refrigerant Connection | | | | Refrig. Line Size | | Indoor Expansion Device | | |
|-----------------|---|----------------|---------|--------|--------------------------------------|------------------------------|---------|--------|--------|--------|-------|------------------------|---------|--------|---------|-------------------|--------|-------------------------|---------|---------|
| | Evaporator Coil or Air Handler ³ | Furnace | SEER | EER | ARI Rated Capacity ¹ Btuh | Rated Sensible Capacity Btuh | HSPF | 47 | | 17 | | Outdoor | | Indoor | | Suction | Liquid | Piston ² | TXV | |
| | | | | | | | | Btuh | COP | Btuh | | COP | Suction | Liquid | Suction | | | | | Liquid |
| 4HP14L30P-7 | E*1P36B+H4TXV01 | 95G1DF070BE16 | 14.0 | 12.0 | 29,000 | 21,500 | 8.5 | 26,200 | 3.6 | 17,000 | 2.50 | 1,050 | 3/4 | 3/8 | 3/4 | 3/8 | 3/4 | 3/8 | NA | H4TXV01 |
| | E*1P36B+H4TXV01 | 95G2DF070BV16 | 14.0 | 12.0 | 29,000 | 21,500 | 8.5 | 26,200 | 3.6 | 17,000 | 2.50 | 1,050 | 3/4 | 3/8 | 3/4 | 3/8 | 3/4 | 3/8 | NA | H4TXV01 |
| | E*1P36B+H4TXV01 | 95G2DF045BV12 | 14.5 | 12.5 | 29,000 | 21,500 | 8.5 | 26,200 | 3.6 | 17,000 | 2.50 | 1,050 | 3/4 | 3/8 | 3/4 | 3/8 | 3/4 | 3/8 | NA | H4TXV01 |
| | E*1P36B+H4TXV01 | 80G1UH070BE12 | 14.5 | 12.5 | 29,000 | 21,500 | 8.5 | 26,200 | 3.6 | 17,000 | 2.50 | 1,050 | 3/4 | 3/8 | 3/4 | 3/8 | 3/4 | 3/8 | NA | H4TXV01 |
| | E*1P36B+H4TXV01 | 80G1DF070BE12 | 14.5 | 12.5 | 29,000 | 21,500 | 8.5 | 26,200 | 3.6 | 17,000 | 2.50 | 1,050 | 3/4 | 3/8 | 3/4 | 3/8 | 3/4 | 3/8 | NA | H4TXV01 |
| | E*1P36B+H4TXV01 | 95G2UH070BV12 | 14.5 | 12.5 | 29,000 | 21,500 | 8.5 | 26,200 | 3.6 | 17,000 | 2.50 | 1,050 | 3/4 | 3/8 | 3/4 | 3/8 | 3/4 | 3/8 | NA | H4TXV01 |
| | E*1P36B+H4TXV01 | 95G1UH070BE12 | 14.0 | 12.0 | 29,000 | 21,500 | 8.5 | 26,200 | 3.5 | 17,000 | 2.50 | 1,050 | 3/4 | 3/8 | 3/4 | 3/8 | 3/4 | 3/8 | NA | H4TXV01 |
| | E*1P36B+H4TXV01 | 95G2UH045BV12 | 14.0 | 12.5 | 29,000 | 21,500 | 8.5 | 26,200 | 3.6 | 17,000 | 2.50 | 1,050 | 3/4 | 3/8 | 3/4 | 3/8 | 3/4 | 3/8 | NA | H4TXV01 |
| | E*1P36B+H4TXV01 | 95G1UH045BE12 | 14.0 | 12.0 | 29,000 | 21,500 | 8.5 | 26,200 | 3.6 | 17,000 | 2.50 | 1,050 | 3/4 | 3/8 | 3/4 | 3/8 | 3/4 | 3/8 | NA | H4TXV01 |
| | E*1P36B+H4TXV01 | 80G1UH090BE16 | 14.0 | 12.0 | 29,000 | 21,500 | 8.5 | 26,200 | 3.5 | 17,000 | 2.50 | 1,050 | 3/4 | 3/8 | 3/4 | 3/8 | 3/4 | 3/8 | NA | H4TXV01 |
| | E*1P36B+H4TXV01 | 95G1DF045BE12 | 14.0 | 12.0 | 29,000 | 21,500 | 8.5 | 26,200 | 3.6 | 17,000 | 2.50 | 1,050 | 3/4 | 3/8 | 3/4 | 3/8 | 3/4 | 3/8 | NA | H4TXV01 |
| | E*1P36C+H4TXV01 | EFV16CC | 14.5 | 12.5 | 29,000 | 21,500 | 8.5 | 26,200 | 3.6 | 17,000 | 2.50 | 1,050 | 3/4 | 3/8 | 3/4 | 3/8 | 3/4 | 3/8 | NA | H4TXV01 |
| | E*1P36C+H4TXV01 | 95G1DF090CE16 | 14.5 | 12.5 | 29,000 | 21,500 | 8.5 | 26,200 | 3.6 | 17,000 | 2.50 | 1,050 | 3/4 | 3/8 | 3/4 | 3/8 | 3/4 | 3/8 | NA | H4TXV01 |
| | E*1P36C+H4TXV01 | 95G1UH090CE16 | 14.5 | 12.5 | 29,000 | 21,500 | 8.5 | 26,200 | 3.6 | 17,000 | 2.50 | 1,050 | 3/4 | 3/8 | 3/4 | 3/8 | 3/4 | 3/8 | NA | H4TXV01 |
| | E*1P36C+H4TXV01 | 95G2UH090CV12 | 15.0 | 12.5 | 29,000 | 21,500 | 8.5 | 26,200 | 3.6 | 17,000 | 2.50 | 1,050 | 3/4 | 3/8 | 3/4 | 3/8 | 3/4 | 3/8 | NA | H4TXV01 |
| | E*1P36C+H4TXV01 | 95G2DF110CV20 | 14.5 | 12.5 | 29,000 | 21,500 | 8.5 | 26,200 | 3.6 | 17,000 | 2.50 | 1,050 | 3/4 | 3/8 | 3/4 | 3/8 | 3/4 | 3/8 | NA | H4TXV01 |
| E*1P36C+H4TXV01 | 95G2DF090CV20 | 14.5 | 12.5 | 29,000 | 21,500 | 8.5 | 26,200 | 3.6 | 17,000 | 2.50 | 1,050 | 3/4 | 3/8 | 3/4 | 3/8 | 3/4 | 3/8 | NA | H4TXV01 | |
| 4HP14L36P-7 | BCS2M36C****P+TXV | | 14.0 | 12.0 | 34,400 | 25,800 | 8.2 | 34,200 | 3.5 | 21,800 | 2.50 | 1,250 | 7/8 | 3/8 | 7/8 | 3/8 | 7/8 | 3/8 | NA | H4TXV02 |
| | BCS2M36V****P+TXV | | 15.0 | 12.5 | 34,600 | 26,000 | 8.5 | 34,000 | 3.6 | 21,600 | 2.50 | 1,250 | 7/8 | 3/8 | 7/8 | 3/8 | 7/8 | 3/8 | NA | H4TXV02 |
| | BCS3M36C****P+TXV BCE3M36C****P+TXV | | 14.0 | 12.0 | 34,000 | 25,500 | 8.2 | 33,800 | 3.5 | 21,800 | 2.50 | 1,250 | 7/8 | 3/8 | 7/8 | 3/8 | 7/8 | 3/8 | NA | H4TXV02 |
| | E*1P36A+H4TXV02 | 80G2UH070AV12* | 14.5 | 12.5 | 34,600 | 26,000 | 8.5 | 34,000 | 3.6 | 21,200 | 2.50 | 1,250 | 7/8 | 3/8 | 3/4 | 3/8 | 7/8 | 3/8 | NA | H4TXV02 |
| | E*1P36A+H4TXV02 | 80G1DF045AE12 | 14.0 | 12.5 | 34,600 | 26,000 | 8.2 | 34,000 | 3.6 | 21,200 | 2.50 | 1,250 | 7/8 | 3/8 | 3/4 | 3/8 | 7/8 | 3/8 | NA | H4TXV02 |
| | E*1P36B+H4TXV02 | 80G2UH090BV16* | 14.0 | 12.5 | 34,600 | 26,000 | 8.5 | 34,000 | 3.6 | 21,200 | 2.40 | 1,250 | 7/8 | 3/8 | 3/4 | 3/8 | 7/8 | 3/8 | NA | H4TXV02 |
| | E*1P36B+H4TXV02 | EFV12BC | 14.5 | 12.5 | 34,600 | 26,000 | 8.5 | 34,000 | 3.6 | 21,200 | 2.50 | 1,250 | 7/8 | 3/8 | 3/4 | 3/8 | 7/8 | 3/8 | NA | H4TXV02 |
| | E*1P36B+H4TXV02 | 80G1UH070BE12 | 14.0 | 12.5 | 34,600 | 26,000 | 8.2 | 34,000 | 3.6 | 21,200 | 2.50 | 1,250 | 7/8 | 3/8 | 3/4 | 3/8 | 7/8 | 3/8 | NA | H4TXV02 |
| | E*1P36B+H4TXV02 | 80G1UH090BE16 | 14.5 | 12.5 | 34,600 | 26,000 | 8.5 | 34,000 | 3.6 | 21,200 | 2.50 | 1,250 | 7/8 | 3/8 | 3/4 | 3/8 | 7/8 | 3/8 | NA | H4TXV02 |
| | E*1P36B+H4TXV02 | 95G2UH045BV12 | 14.0 | 12.0 | 34,600 | 26,000 | 8.2 | 34,000 | 3.6 | 21,200 | 2.50 | 1,250 | 7/8 | 3/8 | 3/4 | 3/8 | 7/8 | 3/8 | NA | H4TXV02 |
| | E*1P36B+H4TXV02 | 95G2DF070BV16 | 14.0 | 12.0 | 34,600 | 26,000 | 8.2 | 34,000 | 3.6 | 21,200 | 2.50 | 1,250 | 7/8 | 3/8 | 3/4 | 3/8 | 7/8 | 3/8 | NA | H4TXV02 |
| | E*1P36B+H4TXV02 | 80G1DF090BE16 | 14.0 | 12.0 | 34,600 | 26,000 | 8.5 | 34,000 | 3.6 | 21,200 | 2.40 | 1,250 | 7/8 | 3/8 | 3/4 | 3/8 | 7/8 | 3/8 | NA | H4TXV02 |
| | E*1P36B+H4TXV02 | 95G2DF045BV12 | 14.0 | 12.0 | 34,600 | 26,000 | 8.2 | 34,000 | 3.6 | 21,200 | 2.50 | 1,250 | 7/8 | 3/8 | 3/4 | 3/8 | 7/8 | 3/8 | NA | H4TXV02 |
| | E*1P36B+H4TXV02 | 80G1DF070BE12 | 14.0 | 12.5 | 34,600 | 26,000 | 8.2 | 34,000 | 3.6 | 21,200 | 2.50 | 1,250 | 7/8 | 3/8 | 3/4 | 3/8 | 7/8 | 3/8 | NA | H4TXV02 |

Note:

1 Certified in accordance with Unitary Air Conditioner Certification Program, which is based on AHRI Standard 210/240

2 Required to achieve AHRI rating. If NA (Not Applicable) is in the piston column, then TXV is required.

3 A blower time delay relay is required to achieve AHRI rating. This feature is standard on all Allied Air Enterprises furnace and AH products.

Cooling Performance with Air Handlers and Furnaces 3 Ton

| Outdoor Model | Indoor Model | | Cooling | | | | Heating | | | | CFM | Refrigerant Connection | | | | Refrig. Line Size | | Indoor Expansion Device | | |
|-----------------|---|----------------|---------|--------|--------------------------------------|------------------------------|---------|--------|--------|--------|-------|------------------------|---------|--------|---------|-------------------|--------|-------------------------|---------|---------|
| | Evaporator Coil or Air Handler ³ | Furnace | SEER | EER | ARI Rated Capacity ¹ Btuh | Rated Sensible Capacity Btuh | HSPF | 47 | | 17 | | Outdoor | | Indoor | | Suction | Liquid | Piston ² | TXV | |
| | | | | | | | | Btuh | COP | Btuh | | COP | Suction | Liquid | Suction | | | | | Liquid |
| 4HP14L36P-7 | E*1P36B+H4TXV02 | 95G2UH070BV12 | 14.0 | 12.5 | 34,600 | 26,000 | 8.2 | 34,000 | 3.6 | 21,200 | 2.50 | 1,250 | 7/8 | 3/8 | 3/4 | 3/8 | 7/8 | 3/8 | NA | H4TXV02 |
| | E*1P36B+H4TXV02 | 95G1DF045BE12 | 14.0 | 12.0 | 34,600 | 26,000 | 8.2 | 34,000 | 3.6 | 21,200 | 2.50 | 1,250 | 7/8 | 3/8 | 3/4 | 3/8 | 7/8 | 3/8 | NA | H4TXV02 |
| | E*1P36C+H4TXV02 | 80G2UH110CV20* | 14.5 | 12.5 | 34,600 | 26,000 | 8.5 | 34,000 | 3.6 | 21,200 | 2.50 | 1,250 | 7/8 | 3/8 | 3/4 | 3/8 | 7/8 | 3/8 | NA | H4TXV02 |
| | E*1P36C+H4TXV02 | EFV16CC | 15.0 | 12.5 | 34,600 | 26,000 | 8.5 | 34,000 | 3.6 | 21,000 | 2.50 | 1,250 | 7/8 | 3/8 | 3/4 | 3/8 | 7/8 | 3/8 | NA | H4TXV02 |
| | E*1P36C+H4TXV02 | 80G1UH090CE20 | 14.0 | 12.5 | 34,600 | 26,000 | 8.5 | 34,000 | 3.6 | 21,200 | 2.40 | 1,250 | 7/8 | 3/8 | 3/4 | 3/8 | 7/8 | 3/8 | NA | H4TXV02 |
| | E*1P36C+H4TXV02 | 95G2UH090CV12 | 14.5 | 12.5 | 34,600 | 26,000 | 8.2 | 34,000 | 3.6 | 21,200 | 2.50 | 1,250 | 7/8 | 3/8 | 3/4 | 3/8 | 7/8 | 3/8 | NA | H4TXV02 |
| | E*1P36C+H4TXV02 | 80G1UH110CE20 | 14.0 | 12.5 | 34,600 | 26,000 | 8.5 | 34,000 | 3.6 | 21,200 | 2.40 | 1,250 | 7/8 | 3/8 | 3/4 | 3/8 | 7/8 | 3/8 | NA | H4TXV02 |
| | E*1P36C+H4TXV02 | 95G2UH090CV20 | 14.5 | 12.5 | 34,600 | 26,000 | 8.5 | 34,000 | 3.6 | 21,200 | 2.50 | 1,250 | 7/8 | 3/8 | 3/4 | 3/8 | 7/8 | 3/8 | NA | H4TXV02 |
| | E*1P36C+H4TXV02 | 95G1UH110CE20 | 14.0 | 12.0 | 34,600 | 26,000 | 8.5 | 34,000 | 3.6 | 21,200 | 2.40 | 1,250 | 7/8 | 3/8 | 3/4 | 3/8 | 7/8 | 3/8 | NA | H4TXV02 |
| | E*1P36C+H4TXV02 | 95G1UH090CE16 | 14.0 | 12.5 | 34,600 | 26,000 | 8.2 | 34,000 | 3.6 | 21,200 | 2.50 | 1,250 | 7/8 | 3/8 | 3/4 | 3/8 | 7/8 | 3/8 | NA | H4TXV02 |
| | E*1P36C+H4TXV02 | 80G1DF110CE20 | 14.0 | 12.5 | 34,600 | 26,000 | 8.5 | 34,000 | 3.6 | 21,200 | 2.40 | 1,250 | 7/8 | 3/8 | 3/4 | 3/8 | 7/8 | 3/8 | NA | H4TXV02 |
| | E*1P36C+H4TXV02 | 95G2DF110CV20 | 14.0 | 12.5 | 34,600 | 26,000 | 8.2 | 34,000 | 3.6 | 21,200 | 2.50 | 1,250 | 7/8 | 3/8 | 3/4 | 3/8 | 7/8 | 3/8 | NA | H4TXV02 |
| | E*1P36C+H4TXV02 | 95G1DF110CE20 | 14.0 | 12.0 | 34,600 | 26,000 | 8.5 | 34,000 | 3.6 | 21,200 | 2.40 | 1,250 | 7/8 | 3/8 | 3/4 | 3/8 | 7/8 | 3/8 | NA | H4TXV02 |
| | E*1P36C+H4TXV02 | 95G2DF090CV20 | 14.5 | 12.5 | 34,600 | 26,000 | 8.2 | 34,000 | 3.6 | 21,200 | 2.50 | 1,250 | 7/8 | 3/8 | 3/4 | 3/8 | 7/8 | 3/8 | NA | H4TXV02 |
| | E*1P36C+H4TXV02 | 95G1DF090CE16 | 14.0 | 12.0 | 34,600 | 26,000 | 8.2 | 34,000 | 3.6 | 21,200 | 2.50 | 1,250 | 7/8 | 3/8 | 3/4 | 3/8 | 7/8 | 3/8 | NA | H4TXV02 |
| | E*1P36C+H4TXV02 | 95G2UH110CV20 | 14.5 | 12.5 | 34,600 | 26,000 | 8.5 | 34,000 | 3.6 | 21,200 | 2.50 | 1,250 | 7/8 | 3/8 | 3/4 | 3/8 | 7/8 | 3/8 | NA | H4TXV02 |
| | E*1P43B+H4TXV02 | 80G2UH090BV16* | 14.0 | 12.0 | 34,600 | 26,000 | 8.5 | 34,000 | 3.6 | 21,800 | 2.40 | 1,250 | 7/8 | 3/8 | 7/8 | 3/8 | 7/8 | 3/8 | NA | H4TXV02 |
| | E*1P43B+H4TXV02 | EFV12BC | 14.5 | 12.5 | 34,600 | 26,000 | 8.5 | 34,000 | 3.6 | 21,800 | 2.50 | 1,250 | 7/8 | 3/8 | 7/8 | 3/8 | 7/8 | 3/8 | NA | H4TXV02 |
| | E*1P43B+H4TXV02 | 95G2DF045BV12 | 14.0 | 12.0 | 34,600 | 26,000 | 8.5 | 34,000 | 3.6 | 21,800 | 2.50 | 1,250 | 7/8 | 3/8 | 7/8 | 3/8 | 7/8 | 3/8 | NA | H4TXV02 |
| | E*1P43B+H4TXV02 | 95G2DF070BV16 | 14.0 | 12.0 | 34,600 | 26,000 | 8.5 | 34,000 | 3.6 | 21,800 | 2.50 | 1,250 | 7/8 | 3/8 | 7/8 | 3/8 | 7/8 | 3/8 | NA | H4TXV02 |
| | E*1P43B+H4TXV02 | 80G1UH070BE12 | 14.0 | 12.0 | 34,600 | 26,000 | 8.5 | 34,000 | 3.6 | 21,800 | 2.50 | 1,250 | 7/8 | 3/8 | 7/8 | 3/8 | 7/8 | 3/8 | NA | H4TXV02 |
| | E*1P43B+H4TXV02 | 80G1DF090BE16 | 14.0 | 12.0 | 34,600 | 26,000 | 8.5 | 34,000 | 3.6 | 21,800 | 2.50 | 1,250 | 7/8 | 3/8 | 7/8 | 3/8 | 7/8 | 3/8 | NA | H4TXV02 |
| | E*1P43B+H4TXV02 | 95G1DF045BE12 | 14.0 | 12.0 | 34,600 | 26,000 | 8.5 | 34,000 | 3.6 | 21,800 | 2.50 | 1,250 | 7/8 | 3/8 | 7/8 | 3/8 | 7/8 | 3/8 | NA | H4TXV02 |
| | E*1P43B+H4TXV02 | 80G1DF070BE12 | 14.0 | 12.0 | 34,600 | 26,000 | 8.5 | 34,000 | 3.6 | 21,800 | 2.50 | 1,250 | 7/8 | 3/8 | 7/8 | 3/8 | 7/8 | 3/8 | NA | H4TXV02 |
| | E*1P43B+H4TXV02 | 95G2UH070BV12 | 14.0 | 12.0 | 34,600 | 26,000 | 8.5 | 34,000 | 3.6 | 21,800 | 2.50 | 1,250 | 7/8 | 3/8 | 7/8 | 3/8 | 7/8 | 3/8 | NA | H4TXV02 |
| | E*1P43B+H4TXV02 | 80G1UH090BE16 | 14.5 | 12.5 | 34,600 | 26,000 | 8.5 | 34,000 | 3.6 | 21,800 | 2.50 | 1,250 | 7/8 | 3/8 | 7/8 | 3/8 | 7/8 | 3/8 | NA | H4TXV02 |
| | E*1P43B+H4TXV02 | 95G2UH045BV12 | 14.0 | 12.0 | 34,600 | 26,000 | 8.5 | 34,000 | 3.6 | 21,800 | 2.50 | 1,250 | 7/8 | 3/8 | 7/8 | 3/8 | 7/8 | 3/8 | NA | H4TXV02 |
| | E*1P43C+H4TXV02 | 80G2UH110CV20* | 14.5 | 12.5 | 34,600 | 26,000 | 8.5 | 34,000 | 3.6 | 21,800 | 2.50 | 1,250 | 7/8 | 3/8 | 7/8 | 3/8 | 7/8 | 3/8 | NA | H4TXV02 |
| | E*1P43C+H4TXV02 | EFV16CC | 15.0 | 12.5 | 34,600 | 26,000 | 8.5 | 34,000 | 3.6 | 21,800 | 2.50 | 1,250 | 7/8 | 3/8 | 7/8 | 3/8 | 7/8 | 3/8 | NA | H4TXV02 |
| | E*1P43C+H4TXV02 | 80G1UH090CE20 | 14.5 | 12.5 | 34,600 | 26,000 | 8.5 | 34,000 | 3.6 | 21,800 | 2.50 | 1,250 | 7/8 | 3/8 | 7/8 | 3/8 | 7/8 | 3/8 | NA | H4TXV02 |
| E*1P43C+H4TXV02 | 80G1DF110CE20 | 14.5 | 12.5 | 34,600 | 26,000 | 8.5 | 34,000 | 3.6 | 21,800 | 2.50 | 1,250 | 7/8 | 3/8 | 7/8 | 3/8 | 7/8 | 3/8 | NA | H4TXV02 | |

Note:

1 Certified in accordance with Unitary Air Conditioner Certification Program, which is based on AHRI Standard 210/240

2 Required to achieve AHRI rating. If NA (Not Applicable) is in the piston column, then TXV is required.

3 A blower time delay relay is required to achieve AHRI rating. This feature is standard on all Allied Air Enterprises furnace and AH products.

Cooling Performance with Air Handlers and Furnaces 36, 42

| Outdoor Model | Indoor Model | | Cooling | | | | Heating | | | | CFM | Refrigerant Connection | | | | Refrig. Line Size | | Indoor Expansion Device | | |
|---------------|---|----------------|---------|------|--------------------------------------|------------------------------|---------|--------|-----|---------|------|------------------------|---------|--------|-----|-------------------|--------|-------------------------|-----|---------|
| | | | SEER | EER | ARI Rated Capacity ¹ Btuh | Rated Sensible Capacity Btuh | HSPF | 47 | | 17 | | Outdoor | | Indoor | | Suction | Liquid | Piston ² | TXV | |
| | Btuh | COP | | | | | | Btuh | COP | Suction | | Liquid | Suction | Liquid | | | | | | |
| | Evaporator Coil or Air Handler ³ | Furnace | | | | | | | | | | | | | | | | | | |
| 4HP14L36P-7 | E*1P43C+H4TXV02 | 95G1DF110CE20 | 14.0 | 12.0 | 34,600 | 26,000 | 8.5 | 34,000 | 3.6 | 21,800 | 2.50 | 1,250 | 7/8 | 3/8 | 7/8 | 3/8 | 7/8 | 3/8 | NA | H4TXV02 |
| | E*1P43C+H4TXV02 | 95G1UH090CE16 | 14.0 | 12.0 | 34,600 | 26,000 | 8.5 | 34,000 | 3.6 | 21,800 | 2.50 | 1,250 | 7/8 | 3/8 | 7/8 | 3/8 | 7/8 | 3/8 | NA | H4TXV02 |
| | E*1P43C+H4TXV02 | 95G2UH090CV12 | 14.5 | 12.5 | 34,600 | 26,000 | 8.5 | 34,000 | 3.6 | 21,800 | 2.50 | 1,250 | 7/8 | 3/8 | 7/8 | 3/8 | 7/8 | 3/8 | NA | H4TXV02 |
| | E*1P43C+H4TXV02 | 95G2DF110CV20 | 14.0 | 12.5 | 34,600 | 26,000 | 8.5 | 34,000 | 3.6 | 21,800 | 2.50 | 1,250 | 7/8 | 3/8 | 7/8 | 3/8 | 7/8 | 3/8 | NA | H4TXV02 |
| | E*1P43C+H4TXV02 | 95G1DF090CE16 | 14.0 | 12.0 | 34,600 | 26,000 | 8.5 | 34,000 | 3.6 | 21,800 | 2.50 | 1,250 | 7/8 | 3/8 | 7/8 | 3/8 | 7/8 | 3/8 | NA | H4TXV02 |
| | E*1P43C+H4TXV02 | 95G2UH110CV20 | 14.5 | 12.5 | 34,600 | 26,000 | 8.5 | 34,000 | 3.6 | 21,800 | 2.50 | 1,250 | 7/8 | 3/8 | 7/8 | 3/8 | 7/8 | 3/8 | NA | H4TXV02 |
| | E*1P43C+H4TXV02 | 95G2DF090CV20 | 14.0 | 12.5 | 34,600 | 26,000 | 8.5 | 34,000 | 3.6 | 21,800 | 2.50 | 1,250 | 7/8 | 3/8 | 7/8 | 3/8 | 7/8 | 3/8 | NA | H4TXV02 |
| | E*1P43C+H4TXV02 | 80G1UH110CE20 | 14.5 | 12.5 | 34,600 | 26,000 | 8.5 | 34,000 | 3.6 | 21,800 | 2.50 | 1,250 | 7/8 | 3/8 | 7/8 | 3/8 | 7/8 | 3/8 | NA | H4TXV02 |
| | E*1P43C+H4TXV02 | 95G2UH090CV20 | 14.5 | 12.5 | 34,600 | 26,000 | 8.5 | 34,000 | 3.6 | 21,800 | 2.50 | 1,250 | 7/8 | 3/8 | 7/8 | 3/8 | 7/8 | 3/8 | NA | H4TXV02 |
| | E*1P43C+H4TXV02 | 95G1UH110CE20 | 14.0 | 12.0 | 34,600 | 26,000 | 8.5 | 34,000 | 3.6 | 21,800 | 2.50 | 1,250 | 7/8 | 3/8 | 7/8 | 3/8 | 7/8 | 3/8 | NA | H4TXV02 |
| 4HP14L42P-7 | BCS2M42C****P+TXV | | 14.0 | 12.0 | 42,000 | 30,700 | 8.2 | 42,000 | 3.5 | 28,800 | 2.40 | 1,400 | 7/8 | 3/8 | 7/8 | 3/8 | 7/8 | 3/8 | NA | H4TXV02 |
| | BCS2M42V****P+TXV | | 15.0 | 12.5 | 42,000 | 30,700 | 8.5 | 42,000 | 3.6 | 28,000 | 2.30 | 1,400 | 7/8 | 3/8 | 7/8 | 3/8 | 7/8 | 3/8 | NA | H4TXV02 |
| | BCS3M42C****P+TXV BCE3M42C****P+TXV | | 14.0 | 12.0 | 41,000 | 30,000 | 8.2 | 40,000 | 3.5 | 28,800 | 2.40 | 1,400 | 7/8 | 3/8 | 7/8 | 3/8 | 7/8 | 3/8 | NA | H4TXV02 |
| | E*1P49C+H4TXV02 | 80G2UH110CV20* | 15.0 | 12.5 | 42,000 | 30,700 | 8.5 | 42,000 | 3.6 | 27,200 | 2.30 | 1,400 | 7/8 | 3/8 | 7/8 | 3/8 | 7/8 | 3/8 | NA | H4TXV02 |
| | E*1P49C+H4TXV02 | EFV16CC | 14.5 | 12.5 | 42,000 | 30,700 | 8.5 | 42,000 | 3.6 | 27,200 | 2.30 | 1,400 | 7/8 | 3/8 | 7/8 | 3/8 | 7/8 | 3/8 | NA | H4TXV02 |
| | E*1P49C+H4TXV02 | 80G1DF110CE20 | 15.0 | 12.5 | 42,000 | 30,700 | 8.5 | 42,000 | 3.6 | 27,200 | 2.30 | 1,400 | 7/8 | 3/8 | 7/8 | 3/8 | 7/8 | 3/8 | NA | H4TXV02 |
| | E*1P49C+H4TXV02 | 95G2UH090CV20 | 15.0 | 12.5 | 42,000 | 30,700 | 8.5 | 42,000 | 3.6 | 27,200 | 2.30 | 1,400 | 7/8 | 3/8 | 7/8 | 3/8 | 7/8 | 3/8 | NA | H4TXV02 |
| | E*1P49C+H4TXV02 | 80G1UH090CE20 | 15.0 | 12.5 | 42,000 | 30,700 | 8.5 | 42,000 | 3.6 | 27,200 | 2.30 | 1,400 | 7/8 | 3/8 | 7/8 | 3/8 | 7/8 | 3/8 | NA | H4TXV02 |
| | E*1P49C+H4TXV02 | 95G2UH110CV20 | 15.0 | 12.5 | 42,000 | 30,700 | 8.5 | 42,000 | 3.6 | 27,200 | 2.30 | 1,400 | 7/8 | 3/8 | 7/8 | 3/8 | 7/8 | 3/8 | NA | H4TXV02 |
| | E*1P49C+H4TXV02 | 95G1UH110CE20 | 15.0 | 12.5 | 42,000 | 30,700 | 8.5 | 42,000 | 3.6 | 27,200 | 2.30 | 1,400 | 7/8 | 3/8 | 7/8 | 3/8 | 7/8 | 3/8 | NA | H4TXV02 |
| | E*1P49C+H4TXV02 | 95G1UH090CE16 | 14.5 | 12.5 | 42,000 | 30,700 | 8.2 | 42,000 | 3.6 | 27,200 | 2.30 | 1,400 | 7/8 | 3/8 | 7/8 | 3/8 | 7/8 | 3/8 | NA | H4TXV02 |
| | E*1P49C+H4TXV02 | 95G2DF110CV20 | 14.5 | 12.5 | 42,000 | 30,700 | 8.2 | 42,000 | 3.6 | 27,200 | 2.30 | 1,400 | 7/8 | 3/8 | 7/8 | 3/8 | 7/8 | 3/8 | NA | H4TXV02 |
| | E*1P49C+H4TXV02 | 95G1DF110CE20 | 15.0 | 12.5 | 42,000 | 30,700 | 8.5 | 42,000 | 3.6 | 27,200 | 2.30 | 1,400 | 7/8 | 3/8 | 7/8 | 3/8 | 7/8 | 3/8 | NA | H4TXV02 |
| | E*1P49C+H4TXV02 | 95G2DF090CV20 | 14.5 | 12.5 | 42,000 | 30,700 | 8.2 | 42,000 | 3.6 | 27,200 | 2.30 | 1,400 | 7/8 | 3/8 | 7/8 | 3/8 | 7/8 | 3/8 | NA | H4TXV02 |
| | E*1P49C+H4TXV02 | 80G1UH110CE20 | 15.0 | 12.5 | 42,000 | 30,700 | 8.5 | 42,000 | 3.6 | 27,200 | 2.30 | 1,400 | 7/8 | 3/8 | 7/8 | 3/8 | 7/8 | 3/8 | NA | H4TXV02 |
| | E*1P62D+H4TXV02 | EFV20DC | 15.0 | 12.5 | 42,000 | 30,700 | 8.2 | 42,000 | 3.6 | 28,000 | 2.30 | 1,400 | 7/8 | 3/8 | 7/8 | 3/8 | 7/8 | 3/8 | NA | H4TXV02 |
| | E*1P62D+H4TXV02 | 95G2UH135DV20 | 15.0 | 12.5 | 42,000 | 30,700 | 8.5 | 42,000 | 3.6 | 28,000 | 2.30 | 1,400 | 7/8 | 3/8 | 7/8 | 3/8 | 7/8 | 3/8 | NA | H4TXV02 |
| | E*1P62D+H4TXV02 | 95G1UH135DE20 | 15.0 | 12.5 | 42,000 | 30,700 | 8.5 | 42,000 | 3.6 | 28,000 | 2.30 | 1,400 | 7/8 | 3/8 | 7/8 | 3/8 | 7/8 | 3/8 | NA | H4TXV02 |
| | E*1P62D+H4TXV02 | 80G1UH135DE20 | 15.0 | 12.5 | 42,000 | 30,700 | 8.2 | 42,000 | 3.6 | 28,000 | 2.30 | 1,400 | 7/8 | 3/8 | 7/8 | 3/8 | 7/8 | 3/8 | NA | H4TXV02 |

Note:

1 Certified in accordance with Unitary Air Conditioner Certification Program, which is based on AHRI Standard 210/240

2 Required to achieve AHRI rating. If NA (Not Applicable) is in the piston column, then TXV is required.

3 A blower time delay relay is required to achieve AHRI rating. This feature is standard on all Allied Air Enterprises furnace and AH products.

Cooling Performance with Air Handlers and Furnaces 48, 60

| Outdoor Model | Indoor Model | | Cooling | | | | Heating | | | | CFM | Refrigerant Connection | | | | Refrig. Line Size | | Indoor Expansion Device | | |
|---------------|---|----------------|---------|------|---|---------------------------------|---------|--------|-----|---------|------|------------------------|---------|--------|-----|-------------------|--------|-------------------------|-----|---------|
| | | | SEER | EER | ARI Rated Capacity ¹ Btuh | Rated Sensible Capacity Btuh | HSPF | 47 | | 17 | | Outdoor | | Indoor | | Suction | Liquid | Piston ² | TXV | |
| | Btuh | COP | | | | | | Btuh | COP | Suction | | Liquid | Suction | Liquid | | | | | | |
| | Evaporator Coil or Air Handler ³ | Furnace | | | | | | | | | | | | | | | | | | |
| 4HP14L48P-7 | BCS2M48C****P+TXV | | 14.0 | 12.0 | 48,000 | 34,600 | 8.2 | 46,500 | 3.4 | 29,600 | 2.50 | 1,600 | 7/8 | 3/8 | 7/8 | 3/8 | 7/8 | 3/8 | NA | H4TXV02 |
| | BCS2M48V****P+TXV | | 15.0 | 12.5 | 48,000 | 34,600 | 8.5 | 45,500 | 3.3 | 29,600 | 2.50 | 1,600 | 7/8 | 3/8 | 7/8 | 3/8 | 7/8 | 3/8 | NA | H4TXV02 |
| | BCS3M48C****P+TXV BCE3M48C****P+TXV | | 14.0 | 12.0 | 48,000 | 34,600 | 8.2 | 46,000 | 3.4 | 29,600 | 2.50 | 1,600 | 7/8 | 3/8 | 7/8 | 3/8 | 7/8 | 3/8 | NA | H4TXV02 |
| | E*1P49C+H4TXV02 | 80G2UH110CV20* | 14.5 | 12.5 | 48,000 | 34,600 | 8.2 | 46,000 | 3.5 | 29,600 | 2.50 | 1,600 | 7/8 | 3/8 | 7/8 | 3/8 | 7/8 | 3/8 | NA | H4TXV02 |
| | E*1P49C+H4TXV02 | EFV16CC | 14.0 | 12.0 | 48,000 | 34,600 | 8.2 | 46,500 | 3.5 | 29,600 | 2.50 | 1,600 | 7/8 | 3/8 | 7/8 | 3/8 | 7/8 | 3/8 | NA | H4TXV02 |
| | E*1P49C+H4TXV02 | 95G2DF110CV20 | 14.0 | 12.0 | 48,000 | 34,600 | 8.2 | 46,500 | 3.5 | 29,600 | 2.50 | 1,600 | 7/8 | 3/8 | 7/8 | 3/8 | 7/8 | 3/8 | NA | H4TXV02 |
| | E*1P49C+H4TXV02 | 95G2UH090CV20 | 14.0 | 12.0 | 48,000 | 34,600 | 8.2 | 46,500 | 3.5 | 29,600 | 2.50 | 1,600 | 7/8 | 3/8 | 7/8 | 3/8 | 7/8 | 3/8 | NA | H4TXV02 |
| | E*1P49C+H4TXV02 | 80G1DF110CE20 | 14.5 | 12.5 | 48,000 | 34,600 | 8.2 | 46,000 | 3.5 | 29,600 | 2.50 | 1,600 | 7/8 | 3/8 | 7/8 | 3/8 | 7/8 | 3/8 | NA | H4TXV02 |
| | E*1P49C+H4TXV02 | 95G2DF090CV20 | 14.0 | 12.0 | 48,000 | 34,600 | 8.2 | 46,500 | 3.5 | 29,600 | 2.50 | 1,600 | 7/8 | 3/8 | 7/8 | 3/8 | 7/8 | 3/8 | NA | H4TXV02 |
| | E*1P49C+H4TXV02 | 95G1DF110CE20 | 14.5 | 12.5 | 48,000 | 34,600 | 8.2 | 46,000 | 3.5 | 29,600 | 2.50 | 1,600 | 7/8 | 3/8 | 7/8 | 3/8 | 7/8 | 3/8 | NA | H4TXV02 |
| | E*1P49C+H4TXV02 | 95G2UH110CV20 | 14.0 | 12.0 | 48,000 | 34,600 | 8.2 | 46,500 | 3.5 | 29,600 | 2.50 | 1,600 | 7/8 | 3/8 | 7/8 | 3/8 | 7/8 | 3/8 | NA | H4TXV02 |
| | E*1P62D+H4TXV02 | EFV20DC | 14.0 | 12.0 | 48,000 | 34,600 | 8.2 | 46,500 | 3.5 | 29,600 | 2.50 | 1,600 | 7/8 | 3/8 | 7/8 | 3/8 | 7/8 | 3/8 | NA | H4TXV02 |
| | E*1P62D+H4TXV02 | 95G2UH135DV20 | 14.5 | 12.5 | 48,000 | 34,600 | 8.2 | 46,000 | 3.5 | 29,600 | 2.50 | 1,600 | 7/8 | 3/8 | 7/8 | 3/8 | 7/8 | 3/8 | NA | H4TXV02 |
| | E*1P62D+H4TXV02 | 95G1UH135DE20 | 14.0 | 12.0 | 48,000 | 34,600 | 8.2 | 46,000 | 3.5 | 29,600 | 2.50 | 1,600 | 7/8 | 3/8 | 7/8 | 3/8 | 7/8 | 3/8 | NA | H4TXV02 |
| | E*1P62D+H4TXV02 | 80G1UH135DE20 | 14.5 | 12.5 | 48,000 | 34,600 | 8.2 | 46,000 | 3.5 | 29,600 | 2.50 | 1,600 | 7/8 | 3/8 | 7/8 | 3/8 | 7/8 | 3/8 | NA | H4TXV02 |
| 4HP14L60P-7 | BCS2M60C****P+TXV | | 14.0 | 12.0 | 58,000 | 42,300 | 8.2 | 55,000 | 3.4 | 36,000 | 2.50 | 1,800 | 7/8 | 3/8 | 7/8 | 3/8 | 1 1/8 | 3/8 | NA | H4TXV03 |
| | BCS2M60V****P+TXV | | 15.0 | 12.5 | 58,000 | 42,300 | 8.5 | 55,000 | 3.5 | 36,000 | 2.50 | 1,800 | 7/8 | 3/8 | 7/8 | 3/8 | 1 1/8 | 3/8 | NA | H4TXV03 |
| | BCS3M60C****P+TXV BCE3M60C****P+TXV | | 14.0 | 12.0 | 57,000 | 41,600 | 8.2 | 55,000 | 3.4 | 36,000 | 2.50 | 1,900 | 7/8 | 3/8 | 7/8 | 3/8 | 1 1/8 | 3/8 | NA | H4TXV03 |

Note:

- 1 Certified in accordance with Unitary Air Conditioner Certification Program, which is based on AHRI Standard 210/240
- 2 Required to achieve AHRI rating. If NA (Not Applicable) is in the piston column, then TXV is required.
- 3 A blower time delay relay is required to achieve AHRI rating. This feature is standard on all Allied Air Enterprises furnace and AH products.

Cooling Performance with Extended Ratings

| Outdoor Model | Indoor Model | Indoor Temp DB/WB °F | Outdoor Temp - DB°F | | | | | | | | | | | | | | |
|---------------|--------------|----------------------|---------------------|------|------|--------|------|------|--------|------|------|--------|------|------|--------|------|------|
| | | | 65 | | | 82 | | | 95 | | | 105 | | | 115 | | |
| | | | Btuh | S/T | kW | Btuh | S/T | kW | Btuh | S/T | kW | Btuh | S/T | kW | Btuh | S/T | kW |
| 4HP14L18P-7 | BCS*M18 | 85/72 | 21,000 | 0.61 | 1.14 | 20,000 | 0.65 | 1.34 | 19,300 | 0.68 | 1.50 | 17,900 | 0.72 | 1.67 | 16,400 | 0.75 | 1.84 |
| | | 80/67 | 19,800 | 0.69 | 1.13 | 18,800 | 0.72 | 1.34 | 18,000 | 0.75 | 1.50 | 16,300 | 0.80 | 1.67 | 14,700 | 0.85 | 1.84 |
| | | 75/63 | 18,900 | 0.72 | 1.13 | 17,200 | 0.77 | 1.34 | 15,900 | 0.81 | 1.50 | 14,400 | 0.87 | 1.67 | 12,800 | 0.92 | 1.84 |
| | | 75/57 | 17,200 | 1.00 | 1.11 | 16,700 | 1.00 | 1.31 | 16,000 | 1.00 | 1.47 | 14,500 | 1.00 | 1.64 | 13,100 | 1.00 | 1.80 |
| 4HP14L24P-7 | BCS*M24 | 85/72 | 30,200 | 0.61 | 1.48 | 27,700 | 0.64 | 1.75 | 25,700 | 0.66 | 1.95 | 24,200 | 0.68 | 2.20 | 22,700 | 0.69 | 2.44 |
| | | 80/67 | 27,600 | 0.69 | 1.47 | 25,200 | 0.71 | 1.74 | 23,400 | 0.73 | 1.95 | 22,100 | 0.75 | 2.19 | 20,700 | 0.77 | 2.42 |
| | | 75/63 | 25,100 | 0.72 | 1.47 | 23,300 | 0.74 | 1.74 | 21,800 | 0.76 | 1.95 | 20,500 | 0.78 | 2.19 | 19,100 | 0.80 | 2.43 |
| | | 75/57 | 24,000 | 1.00 | 1.44 | 22,400 | 1.00 | 1.71 | 20,800 | 1.00 | 1.91 | 19,700 | 1.00 | 2.15 | 18,400 | 1.00 | 2.37 |
| 4HP14L30P-7 | BCS*M30 | 85/72 | 35,800 | 0.62 | 1.88 | 33,600 | 0.64 | 2.19 | 31,900 | 0.66 | 2.43 | 30,200 | 0.68 | 2.72 | 28,400 | 0.70 | 3.00 |
| | | 80/67 | 33,500 | 0.69 | 1.86 | 31,000 | 0.72 | 2.18 | 29,000 | 0.74 | 2.42 | 27,600 | 0.76 | 2.70 | 26,200 | 0.78 | 2.99 |
| | | 75/63 | 31,300 | 0.72 | 1.84 | 29,000 | 0.75 | 2.17 | 27,300 | 0.77 | 2.42 | 25,700 | 0.79 | 2.70 | 24,100 | 0.81 | 2.98 |
| | | 75/57 | 29,100 | 1.00 | 1.82 | 27,600 | 1.00 | 2.14 | 25,800 | 1.00 | 2.37 | 24,600 | 1.00 | 2.65 | 23,300 | 1.00 | 2.93 |
| 4HP14L36P-7 | BCS*M36 | 85/72 | 39,700 | 0.61 | 2.21 | 38,100 | 0.64 | 2.59 | 36,900 | 0.67 | 2.89 | 34,600 | 0.70 | 3.21 | 32,400 | 0.73 | 3.54 |
| | | 80/67 | 37,800 | 0.69 | 2.20 | 36,000 | 0.72 | 2.59 | 34,600 | 0.75 | 2.88 | 31,900 | 0.79 | 3.21 | 29,300 | 0.83 | 3.53 |
| | | 75/63 | 36,100 | 0.73 | 2.20 | 33,300 | 0.77 | 2.58 | 31,100 | 0.80 | 2.87 | 29,000 | 0.83 | 3.19 | 26,800 | 0.85 | 3.51 |
| | | 75/57 | 32,900 | 1.00 | 2.16 | 32,000 | 1.00 | 2.54 | 30,800 | 1.00 | 2.82 | 28,400 | 1.00 | 3.15 | 26,100 | 1.00 | 3.46 |
| 4HP14L42P-7 | BCS*M42 | 85/72 | 50,600 | 0.60 | 2.66 | 47,800 | 0.63 | 3.14 | 45,700 | 0.65 | 3.51 | 42,800 | 0.67 | 3.92 | 39,900 | 0.69 | 4.33 |
| | | 80/67 | 48,200 | 0.68 | 2.66 | 44,700 | 0.71 | 3.13 | 42,000 | 0.73 | 3.50 | 39,500 | 0.75 | 3.91 | 37,000 | 0.77 | 4.33 |
| | | 75/63 | 44,200 | 0.72 | 2.64 | 41,300 | 0.74 | 3.12 | 39,200 | 0.75 | 3.49 | 36,600 | 0.77 | 3.89 | 34,000 | 0.79 | 4.30 |
| | | 75/57 | 41,900 | 1.00 | 2.61 | 39,800 | 1.00 | 3.07 | 37,400 | 1.00 | 3.43 | 35,200 | 1.00 | 3.83 | 32,900 | 1.00 | 4.24 |
| 4HP14L48P-7 | BCS*M48 | 85/72 | 51,900 | 0.62 | 2.95 | 51,400 | 0.64 | 3.55 | 51,000 | 0.65 | 4.00 | 48,400 | 0.68 | 4.47 | 45,800 | 0.70 | 4.93 |
| | | 80/67 | 49,800 | 0.68 | 2.95 | 48,800 | 0.70 | 3.55 | 48,000 | 0.72 | 4.00 | 45,500 | 0.75 | 4.45 | 42,900 | 0.77 | 4.90 |
| | | 75/63 | 47,900 | 0.71 | 2.95 | 45,600 | 0.74 | 3.53 | 43,800 | 0.77 | 3.98 | 40,800 | 0.82 | 4.43 | 37,900 | 0.86 | 4.88 |
| | | 75/57 | 43,300 | 1.00 | 2.89 | 43,400 | 1.00 | 3.48 | 42,700 | 1.00 | 3.92 | 40,500 | 1.00 | 4.36 | 38,200 | 1.00 | 4.80 |
| 4HP14L60P-7 | BCS*M60 | 85/72 | 72,000 | 0.62 | 3.68 | 66,300 | 0.65 | 4.34 | 62,000 | 0.67 | 4.85 | 58,000 | 0.69 | 5.47 | 54,000 | 0.71 | 6.09 |
| | | 80/67 | 65,800 | 0.68 | 3.64 | 61,400 | 0.71 | 4.32 | 58,000 | 0.73 | 4.83 | 54,000 | 0.77 | 5.45 | 50,000 | 0.80 | 6.07 |
| | | 75/63 | 60,800 | 0.71 | 3.60 | 56,200 | 0.74 | 4.29 | 52,700 | 0.76 | 4.81 | 49,400 | 0.78 | 5.43 | 46,100 | 0.80 | 6.04 |
| | | 75/57 | 57,200 | 1.00 | 3.57 | 54,600 | 1.00 | 4.23 | 51,600 | 1.00 | 4.73 | 48,100 | 1.00 | 5.34 | 44,500 | 1.00 | 5.95 |

Note: Extended data shown is actual for models listed and typical for all AHRI matches.

Heating Performance with Extended Ratings

| Outdoor Model | Indoor Model | Outdoor Temp - DB/WB°F° | | | | | | | | | |
|---------------|--------------|-------------------------|------|--------|------|--------|------|--------|------|--------|------|
| | | 00 | | 17/15 | | 35/33 | | 47/43 | | 62/56 | |
| | | Btuh | kW | Btuh | kW | Btuh | kW | Btuh | kW | Btuh | kW |
| 4HP14L18P-7 | BCS*M18 | 4,300 | 1.26 | 10,500 | 1.36 | 14,800 | 1.47 | 17,400 | 1.50 | 21,400 | 1.54 |
| 4HP14L24P-7 | BCS*M24 | 5,800 | 1.54 | 14,000 | 1.78 | 18,700 | 1.83 | 22,000 | 1.90 | 26,900 | 2.00 |
| 4HP14L30P-7 | BCS*M30 | 7,800 | 1.76 | 17,000 | 1.99 | 22,600 | 2.19 | 26,200 | 2.26 | 31,600 | 2.36 |
| 4HP14L36P-7 | BCS*M36 | 9,700 | 2.20 | 21,600 | 2.53 | 29,700 | 2.80 | 34,600 | 2.90 | 41,900 | 3.04 |
| 4HP14L42P-7 | BCS*M42 | 12,700 | 3.14 | 28,800 | 3.52 | 36,000 | 3.42 | 42,000 | 3.52 | 51,000 | 3.66 |
| 4HP14L48P-7 | BCS*M48 | 14,100 | 2.85 | 29,600 | 3.47 | 40,300 | 3.83 | 46,500 | 4.01 | 55,800 | 4.28 |
| 4HP14L60P-7 | BCS*M60 | 18,000 | 3.37 | 36,000 | 4.22 | 48,000 | 4.78 | 55,000 | 5.04 | 65,500 | 5.43 |

Note: Extended data shown is actual for models listed and typical for all AHRI matches.

Accessories

| Description | Where Used | Kit Number |
|----------------------------|--|------------|
| Crankcase Heater | 18, 24, 30, 36 | 93M04 |
| | 42, 48, 60 | 93M05 |
| Hard Start Kit | 18 | 10J42 |
| | 24, 30, 36, 42, 48, 60 | 88M91 |
| Compressor Low Ambient Kit | 18, 24, 30, 36, 42, 48, 60 | 45F08 |
| Sound Blanket | 18, 24, 30, 36, 42, 48, 60 | 69J03 |
| Short Cycle Protector | 18, 24, 30, 36, 42, 48, 60 (Factory Installed) | 47J27 |
| Freezestat | 3/8 tubing | 93G35 |
| | 5/8 tubing | 50A93 |
| Time Delay Relay | 18, 24, 30, 36, 42, 48, 60 | 58M81 |
| Loss of Charge Kit | 18, 24, 30, 36, 42, 48, 60 | 84M23 |

All specifications and illustrations
subject to change without notice
and without incurring obligations.

DucaneTM
**AIR CONDITIONING
AND HEATING**

www.ducanehvac.com
1-800-448-5872