

# AIREASE™

Built for life. Yours.

## Gas Furnaces 93% Single Stage

Form No. JA931A-100 (05/2012)

### Features and Benefits



#### WARRANTY

- 10 year limited parts warranty / lifetime heat exchanger warranty available. See limited warranty document for details.

#### CONFIGURATIONS

- Upflow / Horizontal
- Downflow

#### HEAT EXCHANGER DESIGN

- Aluminized steel primary heat exchanger with crimped no weld construction for "A" models
- AL 29-4C Stainless steel secondary heat exchanger

#### BURNER

- Aluminized steel inshot burners for smooth ignition

#### CABINET DESIGN

- Compact 33" height
- Standardized widths for easy coil fit

#### AIR DELIVERY SYSTEM

- Multi-speed PSC blower motor
- Easily removable slide out blower design

#### CONTROLS

- Single stage gas valve
- Self diagnostics saves last 5 fault codes regardless of power interruption
- Control features electronic air cleaner and humidifer terminals

#### VENTING

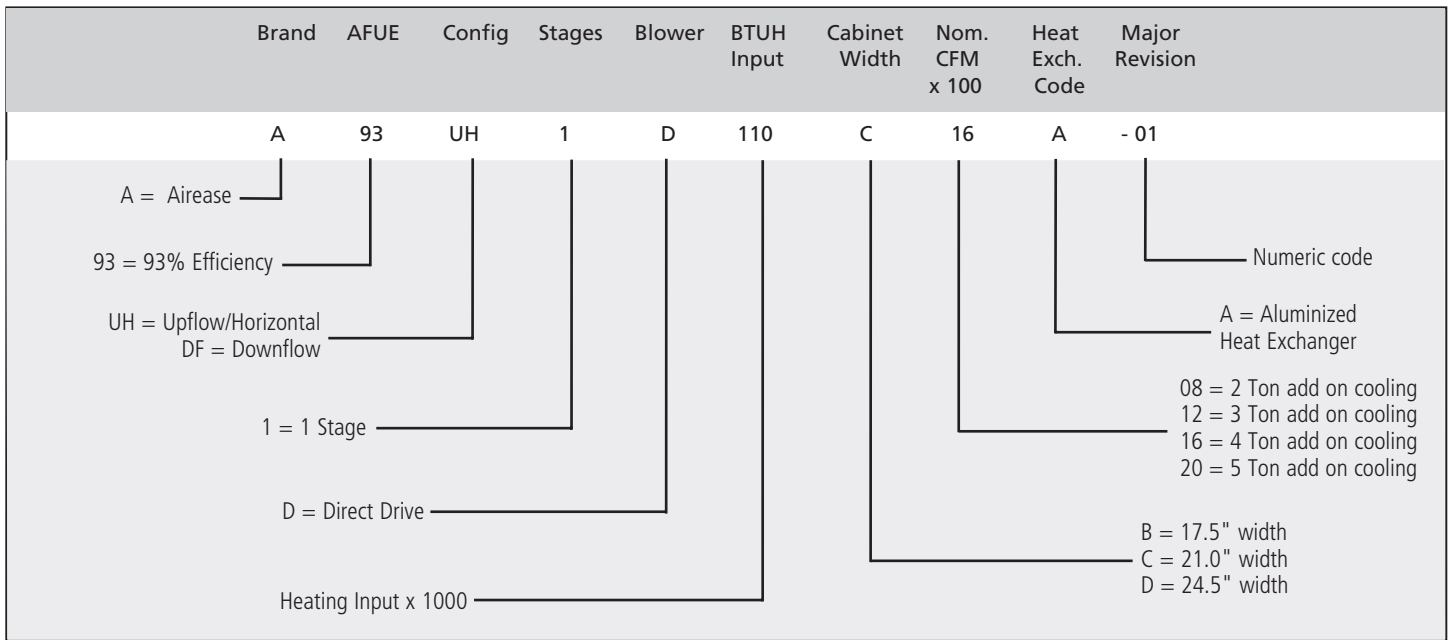
- Designed certified for direct and non direct applications

#### INSTALLATION FEATURES

- Left or right utility connection
- Design certified for direct and non-direct vent applications
- Zero step horizontal conversion
- Removable floor base for bottom return air
- Complies with California's South Coast Air Quality Management district Low NOx requirements



# Model Number Guide



## Physical and Electrical Data

	Model	Input (Btuh)	Output (Btuh)	AFUE (ICS)	Nom. Cooling Capacity	Gas Inlet (in.)	Volts/ Hz/ Phase	Max. Time Delay Breaker or Fuse	Nominal F.L.A.	Trans. (V.A.)	Approx. Shipping Weight (lbs.)
Upflow / Horizontal	A93UH1D045B08A	44,000	41,000	93.0%	1.5 - 2	1/2	120 - 60 - 1	15	3.1	40	120
	A93UH1D045B12A	44,000	42,000	93.0%	2.5 - 3	1/2	120 - 60 - 1	15	6.1	40	122
	A93UH1D070B08A	66,000	62,000	93.0%	1.5 - 2	1/2	120 - 60 - 1	15	3.1	40	125
	A93UH1D070B12A	66,000	61,000	93.0%	2.5 - 3	1/2	120 - 60 - 1	15	6.1	40	127
	A93UH1D090C12A	88,000	83,000	93.0%	2 - 3	1/2	120 - 60 - 1	15	6.1	40	143
	A93UH1D090C16A	88,000	83,000	93.0%	3 - 4	1/2	120 - 60 - 1	15	8.2	40	146
	A93UH1D110C16A	110,000	104,000	93.0%	3 - 4	1/2	120 - 60 - 1	15	8.2	40	155
	A93UH1D110C20A	110,000	104,000	93.0%	4 - 5	1/2	120 - 60 - 1	15	10.0	40	161
Downflow	A93UH1D135D20A	135,000	124,000	93.0%	4 - 5	1/2	120 - 60 - 1	15	10.0	40	178
	A93DF1D045B12A	44,000	42,000	93.0%	2.5 - 3	1/2	120 - 60 - 1	15	6.1	40	124
	A93DF1D070B12A	66,000	62,000	93.0%	2.5 - 3	1/2	120 - 60 - 1	15	6.1	40	129
	A93DF1D090C16A	88,000	84,000	93.0%	3 - 4	1/2	120 - 60 - 1	15	8.2	40	143
	A93DF1D110C20A	110,000	104,000	93.0%	4 - 5	1/2	120 - 60 - 1	15	11.5	40	162

Note: For vent length and clearances to combustibles, please reference installation instructions.

# Blower Performance Data

	Model	Motor Size (hp)	Blower Size	Temp Rise (F°)	Blower Speed	CFM @ external static pressure - " w.c.							
						.20	.30	.40	.50	.60	.70	.80	.90
Upflow / Horizontal	A93UH1D045B08A	1/5	10 x 8	40 - 70	Hi	1125	1090	1065	1020	945	910	790	735
					Med/Hi	895	870	865	825	780	740	670	575
					Med	755	725	715	675	640	585	510	460
					Low	680	660	635	605	555	505	455	390
	A93UH1D045B12A	1/3	10 x 8	25 - 55	Hi	1550	1480	1425	1355	1320	1225	1135	1025
					Med/Hi	1330	1295	1280	1190	1165	1110	1050	950
					Med	1150	1140	1105	1085	1030	975	920	800
					Low	1000	975	970	940	900	855	780	700
	A93UH1D070B08A	1/5	10 x 8	50 - 80	Hi	1125	1090	1065	1020	945	910	790	735
					Med/Hi	895	870	865	825	780	740	670	575
					Med	755	725	715	675	640	585	510	460
					Low	680	660	635	605	555	505	455	390
	A93UH1D070B12A	1/3	10 x 8	40 - 70	Hi	1535	1440	1405	1340	1255	1165	1060	955
					Med/Hi	1340	1300	1255	1200	1125	1080	990	895
					Med	1150	1110	1075	1045	995	935	870	750
					Low	1025	1000	975	945	875	820	750	660
	A93UH1D090C12A	1/3	10 x 8	50 - 80	Hi	1565	1525	1485	1431	1365	1295	1200	1060
					Med/Hi	1335	1300	1295	1260	1210	1155	1065	955
					Med	1145	1135	1110	1090	1035	995	930	820
					Low	970	965	960	940	900	860	745	695
A93UH1D090C16A	1/2	10 x 10	40 - 70	Hi	1925	1850	1790	1700	1610	1540	1415	1270	
				Med/Hi	1675	1640	1575	1540	1455	1365	1265	1165	
				Med	1405	1400	1395	1350	1295	1225	1125	1060	
				Low	1205	1175	1170	1140	1100	1030	980	900	
A93UH1D110C16A	1/2	10 x 10	50 - 80	Hi	1935	1885	1830	1750	1660	1540	1420	1290	
				Med/Hi	1675	1660	1585	1565	1485	1380	1290	1175	
				Med	1455	1410	1385	1320	1280	1230	1140	1045	
				Low	1230	1200	1190	1165	1105	1060	945	850	
A93UH1D110C20A	3/4	11½ X 10	40 - 70	Hi	2370	2270	2185	2115	2020	1910	1815	1680	
				Med/Hi	2180	2120	1995	1955	1865	1765	1675	1575	
				Med	1950	1885	1835	1760	1721	1630	1555	1440	
				Low	1670	1635	1605	1545	1485	1425	1330	1275	
A93UH1D135D20A	3/4	11½ X 10	45 - 75	Hi	2350	2260	2135	2095	1980	1885	1810	1690	
				Med/Hi	2170	2100	2050	1950	1875	1820	1690	1620	
				Med	1945	1915	1825	1805	1720	1680	1580	1505	
				Low	1710	1675	1655	1575	1540	1480	1405	1360	

Continued on next page

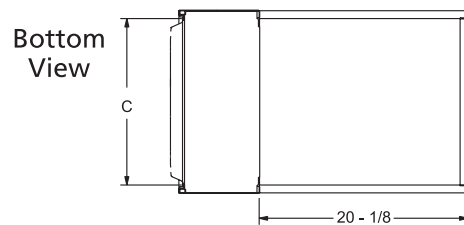
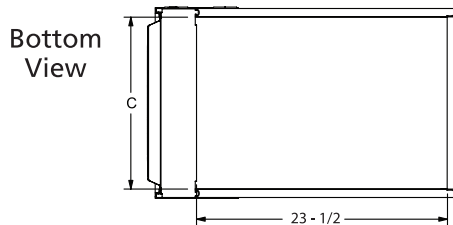
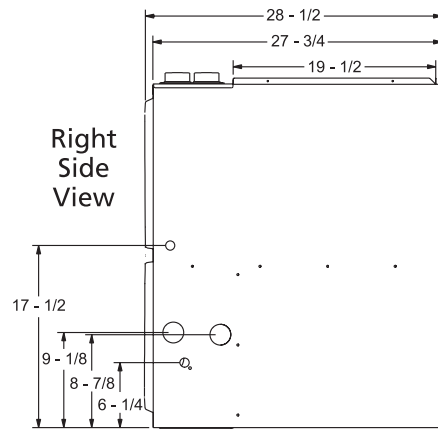
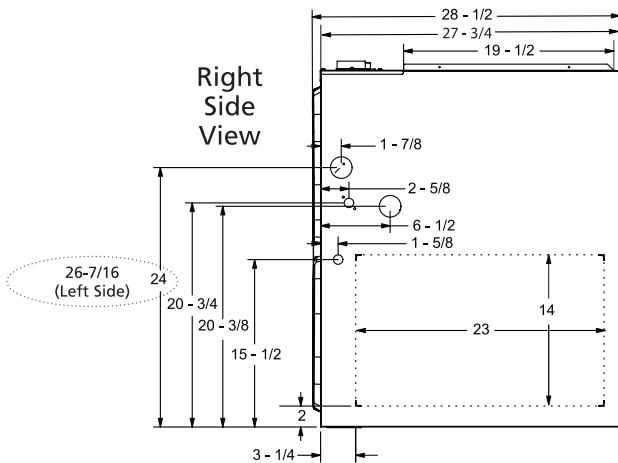
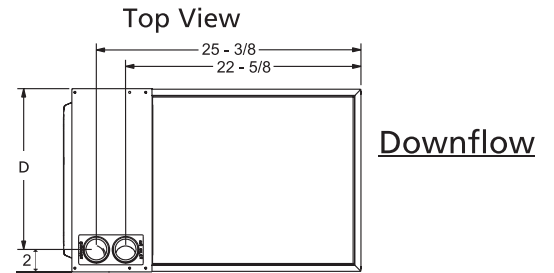
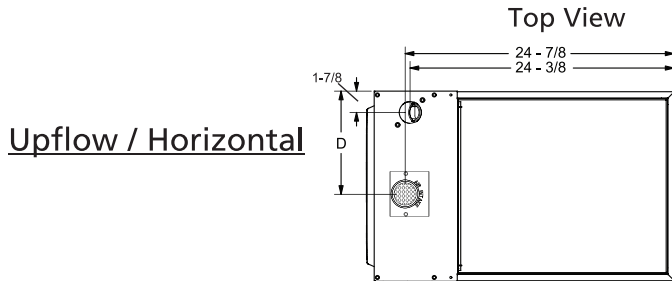
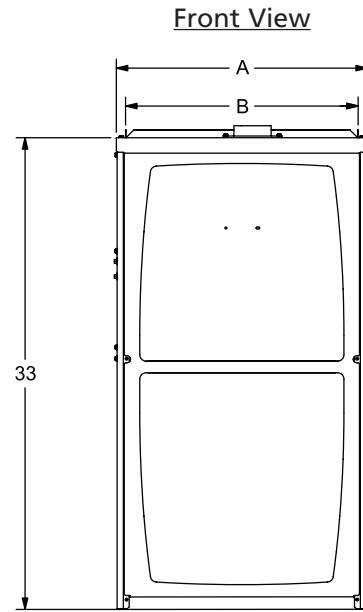
# Blower Performance Data

Continued from previous page

	Model	Motor Size (hp)	Blower Size	Temp Rise (F°)	Blower Speed	CFM @ external static pressure - " w.c.							
						.20	.30	.40	.50	.60	.70	.80	.90
Downflow	A93DF1D045B12A	1/3	10 x 8	25 - 55	Hi	1500	1450	1350	1300	1195	1140	1025	945
					Med/Hi	1340	1290	1235	1170	1095	1020	920	800
					Med	1165	1125	1090	1035	990	895	840	700
					Low	1015	975	920	875	840	780	695	605
	A93DF1D070B12A	1/3	10 x 8	50 - 80	Hi	1405	1355	1305	1270	1175	1105	1040	920
					Med/Hi	1255	1225	1165	1110	1080	1000	925	825
					Med	1055	1045	1010	975	925	855	790	680
					Low	930	900	890	835	815	745	670	560
	A93DF1D090C16A	1/2	10 x 10	40 - 70	Hi	1910	1825	1730	1630	1530	1430	1300	1185
					Med/Hi	1775	1705	1620	1530	1450	1340	1245	1110
					Med	1575	1530	1475	1405	1330	1260	1145	1045
					Low	1340	1325	1285	1240	1175	1095	1015	915
	A93DF1D110C20A	1	11½ X 10	50 - 80	Hi	2285	2220	2185	2045	1965	1820	1625	1455
					Med/Hi	2120	2015	1950	1830	1710	1610	1510	1390
					Med	1850	1770	1750	1680	1575	1495	1400	1350
					Low	1540	1535	1530	1500	1445	1370	1315	1210

# Dimensions (in.)

	Model	A	B	C	D
Upflow/Horizontal	A93UH1D045B08A	17-1/2	16-3/8	16	7-5/8
	A93UH1D045B12A	17-1/2	16-3/8	16	7-5/8
	A93UH1D070B08A	17-1/2	16-3/8	16	7-5/8
	A93UH1D070B12A	17-1/2	16-3/8	16	7-5/8
	A93UH1D090C12A	21	19-7/8	19-1/2	9-3/8
	A93UH1D090C16A	21	19-7/8	19-1/2	9-3/8
	A93UH1D110C16A	21	19-7/8	19-1/2	9-3/8
	A93UH1D110C20A	21	19-7/8	19-1/2	9-3/8
	A93UH1D135D20A	24-1/2	23-3/8	23	11-1/8
Downflow	A93DF1D045B12A	17-1/2	16-3/8	16	15-1/2
	A93DF1D070B12A	17-1/2	16-3/8	16	15-1/2
	A93DF1D090C16A	21	19-7/8	19-1/2	19
	A93DF1D110C20A	21	19-7/8	19-1/2	19



## Accessory List

Catalog Number	Description
External Filter Rack kits	
1.841018	1 pack (16 x 25)
1.841039	10 pack (16 x 25)
Natural to LP kits	
68W75	1-Stage - 90
Return Air Base	
68W62	17.5" B Width
68W63	21.0" C Width
68W64	24.5" D Width
Downflow Combustible Flooring Base	
11M60	17.5" B Width
11M61	21.0" C Width
Night Service Kits	
68W80	Single Stage
Horizontal Suspension Kit	
51W10	80% & 90% Kit
Flush Mount Termination (90% Furnaces only) US Only	
51W11	2" & 3" Vent Version
Concentric Vent Kit (90% Furnaces only) US Only	
71M80	1-1/2" Vent Version
69M29	2" Vent Version
60L46	3" Vent Version

For vent length and clearances to combustibles, please reference installation instructions.

**SUBJECT TO CHANGE**  
All specifications and illustrations subject to change without notice and without incurring obligations.



Built for life. Yours.

www.airease.com  
1-800-448-5872